

GENERAL NOTES

BALCONY COVER

- Panel shall be of NAVACO roof framed 6" tructural 1 type lumina illoy 3003 H16 025" h x 1 1/2"
- Faci shall be #303 H16 r 11-f rmed lumina illoy f load be g gite type 050 h ck
- Alumina panel 4 f aci shall have hi bakloyd ban enamel fin h ov a possibl Painted finish re not acceptabl
- 10line #1200 primer P1 sh must nat h wood rim f bu lding cl only
- For 1/4 beams shall be h t dipped galvanized te 1 with hi bake enamel modified vinyl base finish inside & out ov boderized cover in coating
- Cut and remove existing gutte inst ll pati cover Connect new gutt 40 rrounding portion
- Provide spl bblock or stan ion t base f downpout if draining onto dirt area
- See manufacture drawing 1770 10 f engineering dat and specifi inst ll tion guideline I C B O #1470-8
- Detail shown r exampl contracto provide manufacture spe c t na & det ll

EYEBROW COVER

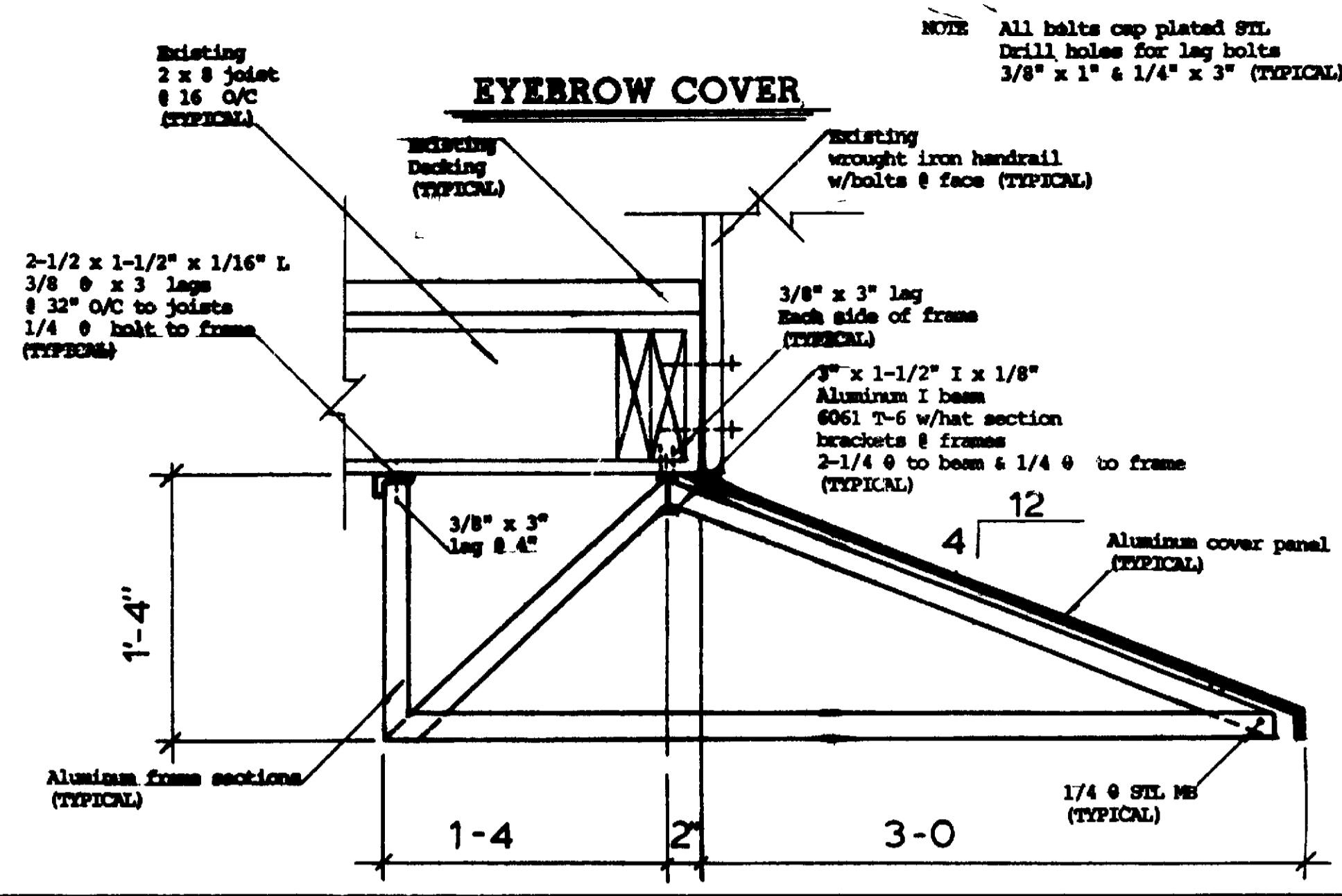
- All eyebrow cover installed per hi plan shall be flexalum cover only No exceptions
- Contract r furnish complete manufacture specific tions and detail

LIGHT AND VENTILATION

Room must have borrowed ventilation from adjoining room per U B C or a mechanical ventilation system capable of providing two air changes per hour one-fifth of the air shall be taken from outside

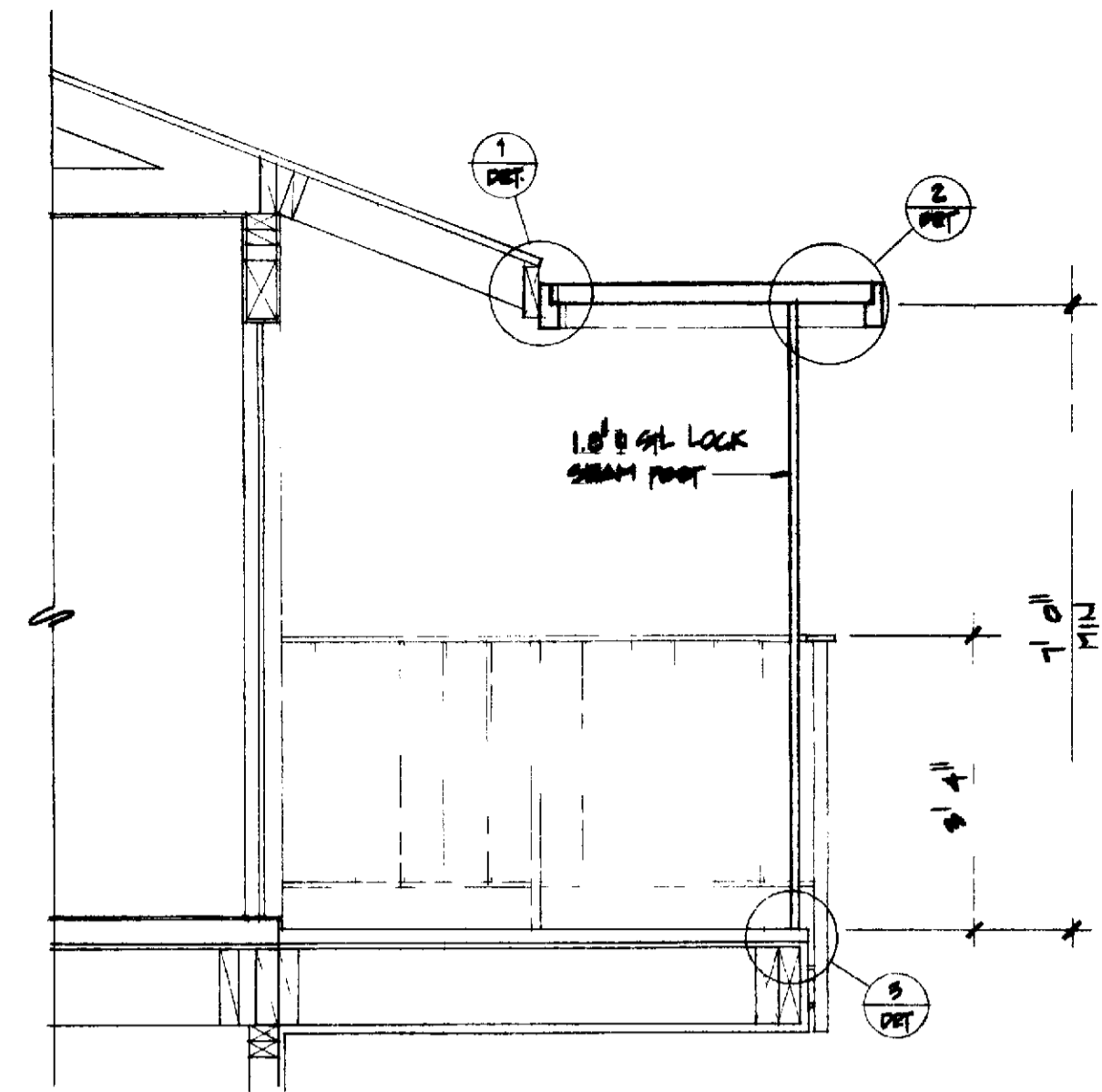
The open area of the longer wall and one additional wall is equal to at least 65% of the area below a minimum of 6 feet 8 inches of each wall measured from the floor per the current edition of the U B C

NOTE
All bolts exp plated STL
Drill holes for lag bolts
3/8" x 1" & 1/4" x 3" (TYPICAL)

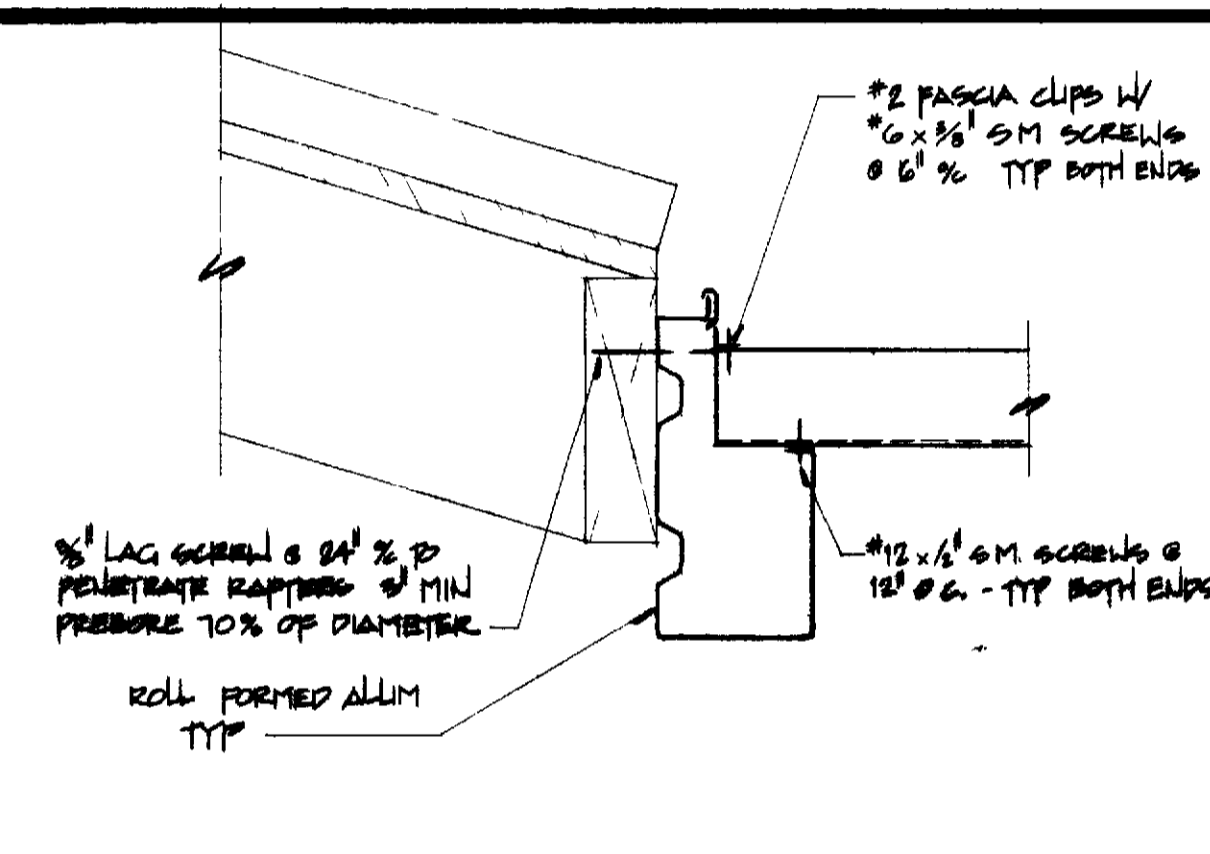


B TYP SECTION EYEBROW COVER SCALE 3/4" = 1' 0"

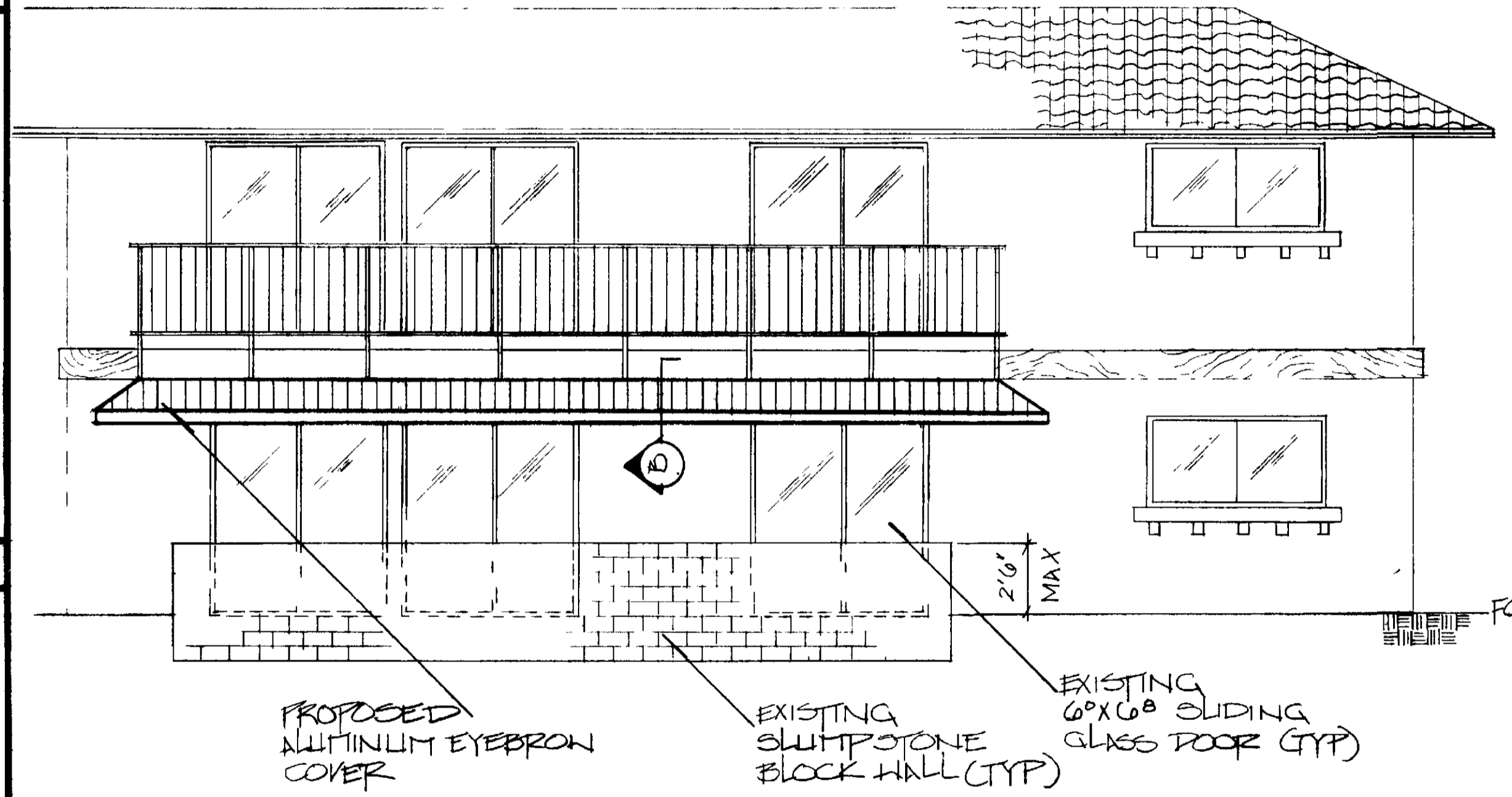
NOTE
THE OPEN AREA OF THE LONGER WALL & ONE ADDITIONAL WALL MUST BE EQUAL TO AT LEAST 65% OF THE AREA BELOW A MINIMUM OF 6' 8" OF EACH WALL MEASURED FROM THE FLOOR



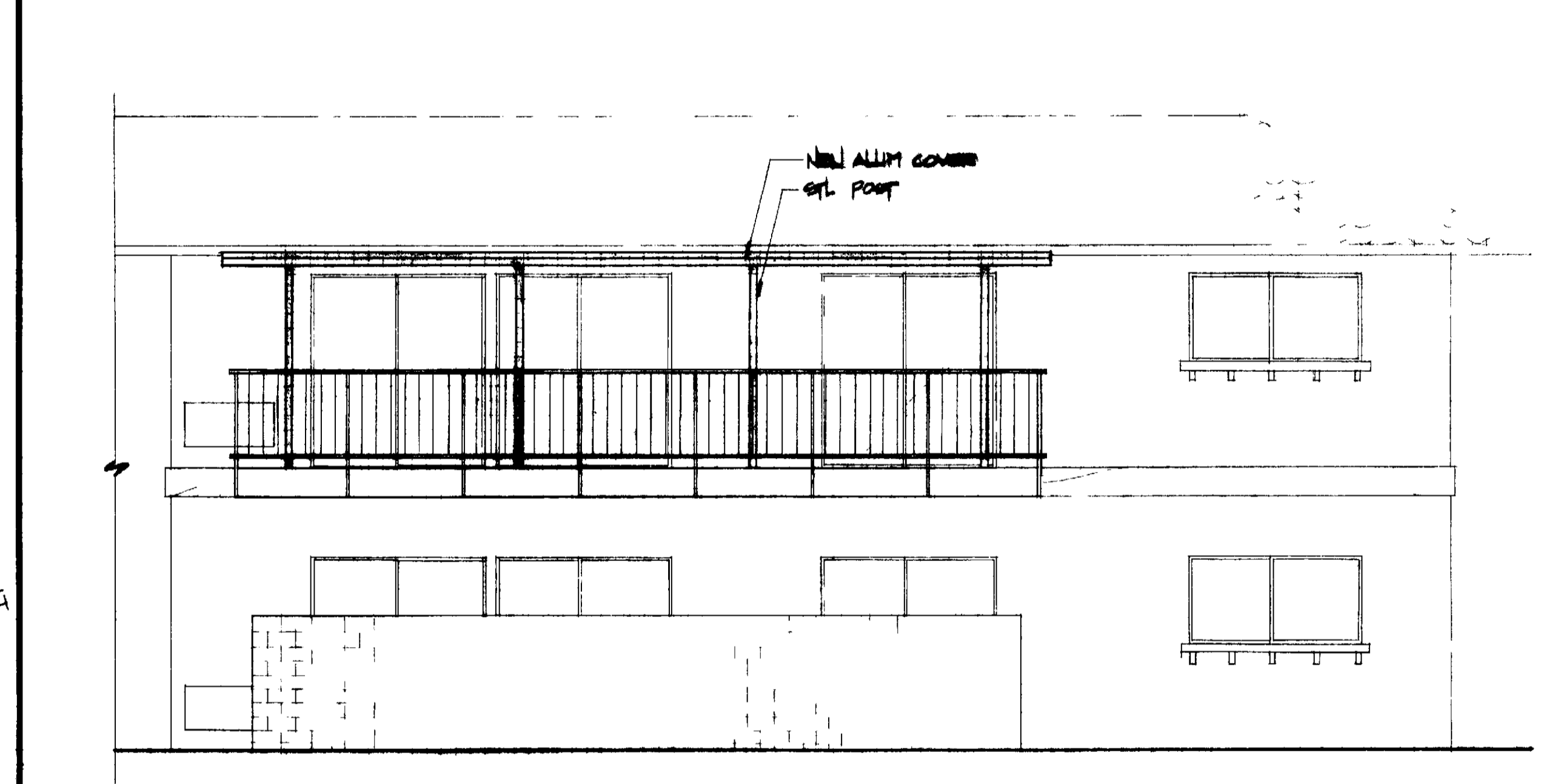
C TYP SECTION BALCONY COVER SCALE 3/4" = 1' 0"



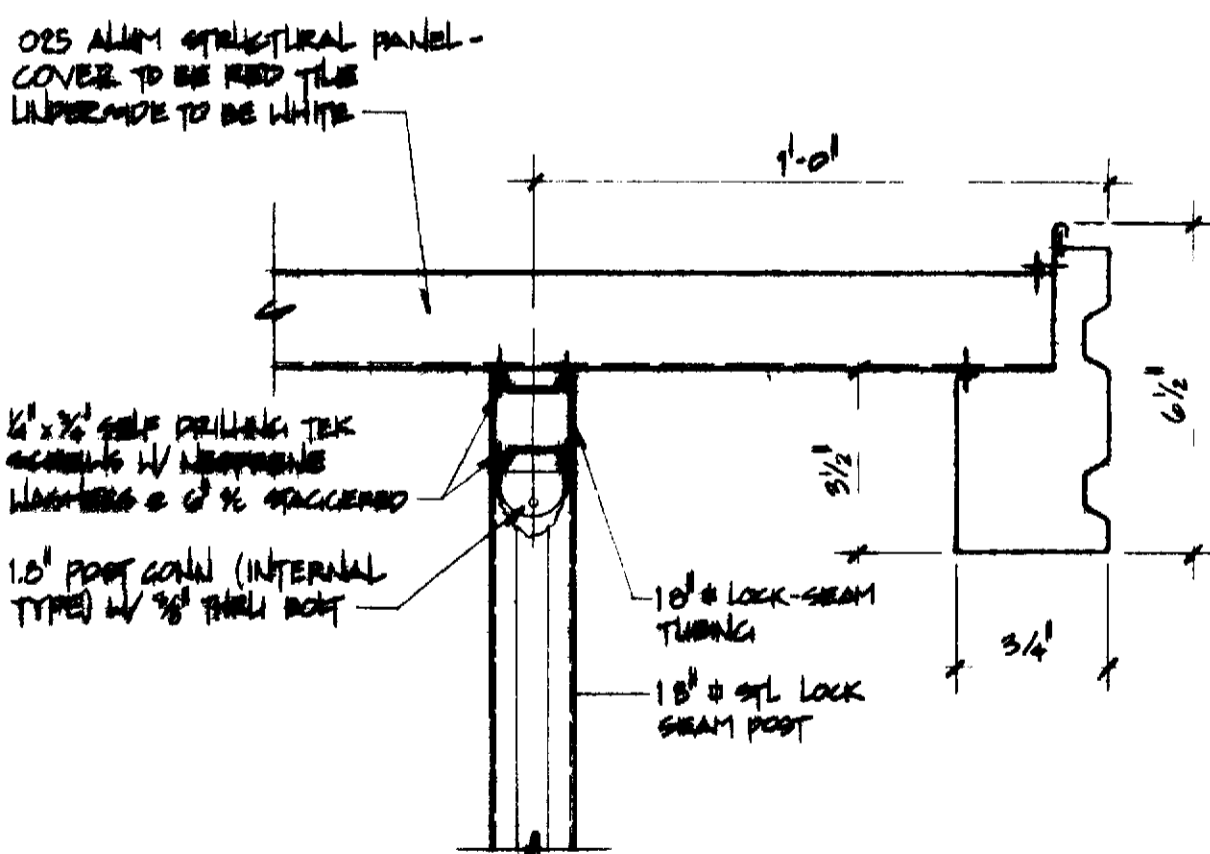
D COVER TO FASCIA SCALE 3/4" = 1' 0"



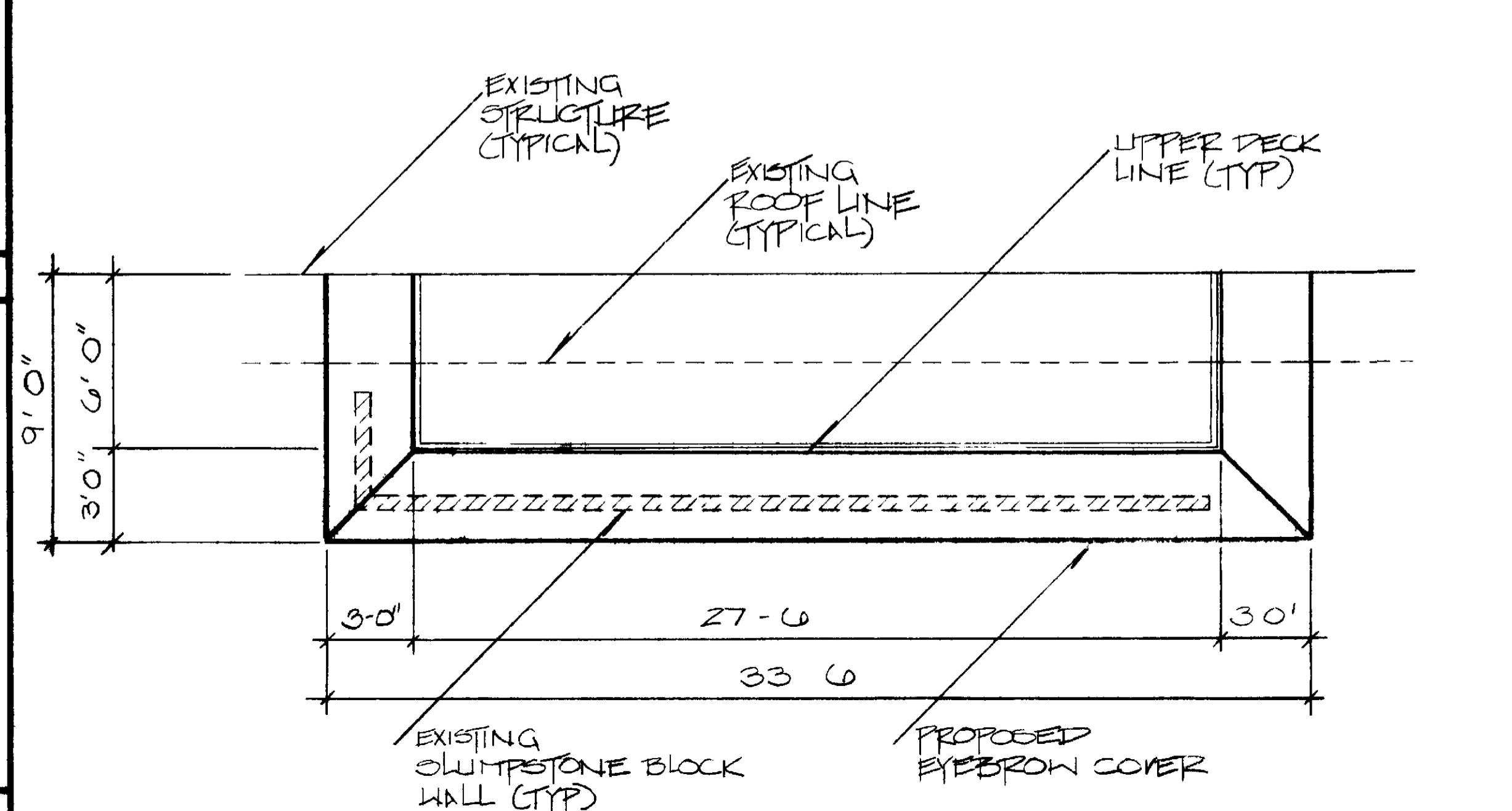
E ELEVATION EYEBROW COVER SCALE 1/4" = 1' 0"



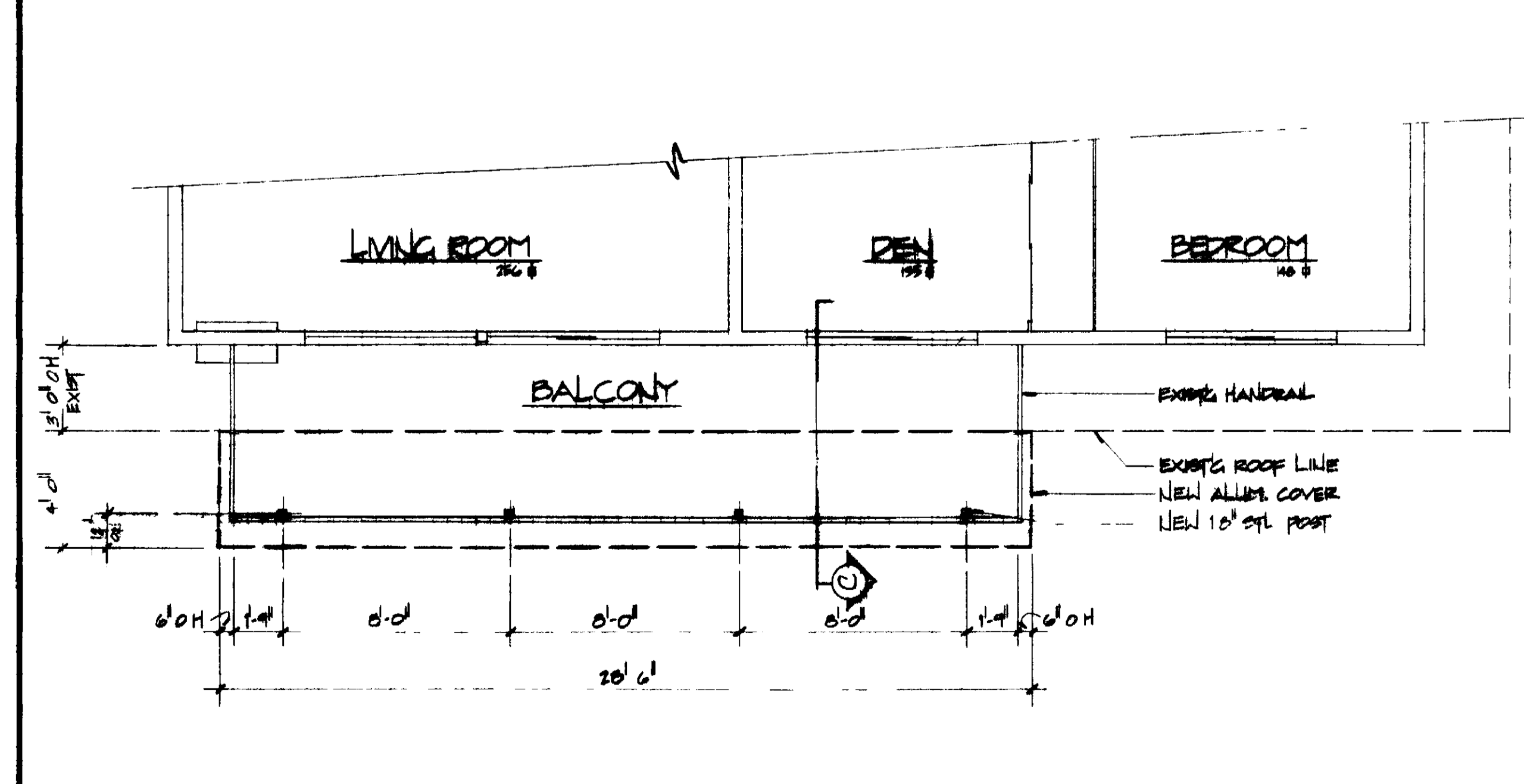
F ELEVATION BALCONY COVER SCALE 1/4" = 1' 0"



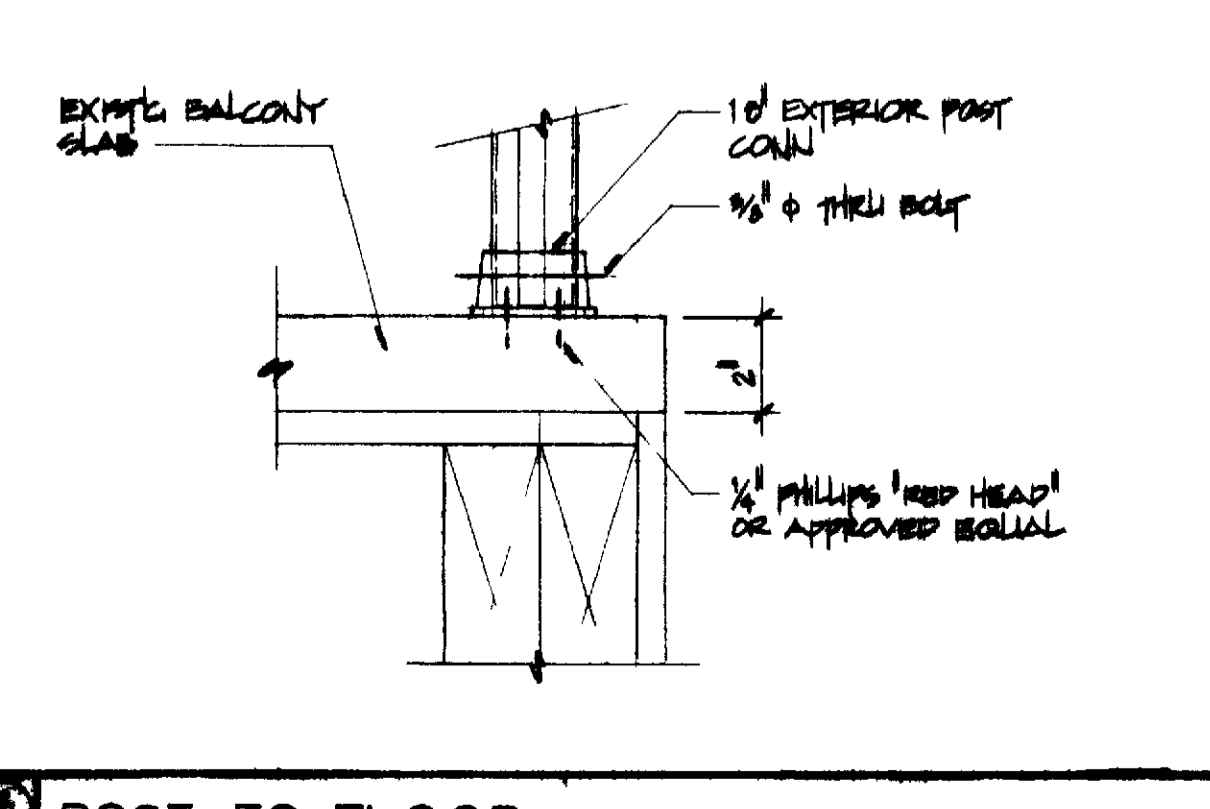
G POST TO COVER SCALE 3/4" = 1' 0"



H PATIO PLAN SCALE 1/4" = 1' 0"



I BALCONY PLAN SCALE 1/4" = 1' 0"



J POST TO FLOOR DETAILS SCALE 3/4" = 1' 0"

REVISION	DATE
1	4/16/92
2	
3	

Professional Community Management
LEISURE WORLD - LAGUNA, ILL. U.S.A.
PERMITS & INSPECTIONS DEPARTMENT
1175 BAYVIEW BLVD. SUITE 100
LAGUNA, CALIF. 92653
A STATE LICENSED PROFESSIONAL ENGINEER

CONSTRUCTION PLANS FOR:
BALCONY COVER ALUMINUM
EYEBROW COVER ALUMINUM
HH08.1106 & KK08.4

DRAWN BY G OSWALD
CHECKED BY C GUIDRY
DATE 11/15/90
SCALE AS SHOWN
APPROVED BY
LEISURE WORLD
63
STANDARD PLAN
SHEET 2 OF 2 SHEET(S)