

**GENERAL REQUIREMENTS**

**PERMITS:** Mutual permit required for skylight installations. Permit fee \$100.00. All work must be done in accordance with the City of Orange Building Code (UCBC).

**STANDARD PLAN:** Skylights shall be installed in accordance with the Mutual Permit Application. Any deviation must have the approval of the Building Department. The permit application fee is \$100.00.

**CLEAN UP:** All rubbish shall be kept in a container until removed by the contractor. The contractor shall be responsible for removal of all debris and materials from the site. The contractor shall also be responsible for cleaning up the site after completion of work.

**CODES:** All work shall comply with the current edition of the Uniform Building Code (UBC) and the International Building Code (IBC).

**CONSTRUCTION MATERIALS:** All materials shall be of the highest quality and shall be approved by the Building Department. The contractor shall be responsible for obtaining all necessary permits and approvals.

**MANUFACTURER'S DIRECTIONS:** The contractor shall follow the manufacturer's instructions for the installation of the skylight. The contractor shall also be responsible for obtaining all necessary permits and approvals.

**WORK HOURS:** Work shall be performed during the hours of 8:00 AM to 5:00 PM, Monday through Friday. Work shall not be performed on Saturdays, Sundays, or public holidays.

**WARRANTY:** The contractor shall warrant the work for a period of one year from the date of completion. The contractor shall be responsible for obtaining all necessary permits and approvals.

**APPLICATIONS**

**SKYLIGHTS:** Skylights shall be installed in accordance with the Mutual Permit Application. The contractor shall be responsible for obtaining all necessary permits and approvals.

**SKYLIGHTS:** Skylights shall be installed in accordance with the Mutual Permit Application. The contractor shall be responsible for obtaining all necessary permits and approvals.

**SKYLIGHTS:** Skylights shall be installed in accordance with the Mutual Permit Application. The contractor shall be responsible for obtaining all necessary permits and approvals.

**SKYLIGHTS:** Skylights shall be installed in accordance with the Mutual Permit Application. The contractor shall be responsible for obtaining all necessary permits and approvals.

**SKYLIGHTS:** Skylights shall be installed in accordance with the Mutual Permit Application. The contractor shall be responsible for obtaining all necessary permits and approvals.

**SKYLIGHTS:** Skylights shall be installed in accordance with the Mutual Permit Application. The contractor shall be responsible for obtaining all necessary permits and approvals.

**SKYLIGHTS:** Skylights shall be installed in accordance with the Mutual Permit Application. The contractor shall be responsible for obtaining all necessary permits and approvals.

**CONSTRUCTION NOTES**

**TYPE OF CONSTRUCTION:** V-N

**TYPE OF OCCUPANCY:** Single-Family Residential

**BUILD-UP ROOF:** Skylight opening shall be flashed with 3/4" galvanized steel flashing and sealed with a compatible sealant. The flashing shall be installed over the drywall and under the roof sheathing. The sealant shall be applied to the joint between the flashing and the skylight curb.

**SKYLIGHTS:** Skylights shall be installed in accordance with the Mutual Permit Application. The contractor shall be responsible for obtaining all necessary permits and approvals.

**SKYLIGHTS:** Skylights shall be installed in accordance with the Mutual Permit Application. The contractor shall be responsible for obtaining all necessary permits and approvals.

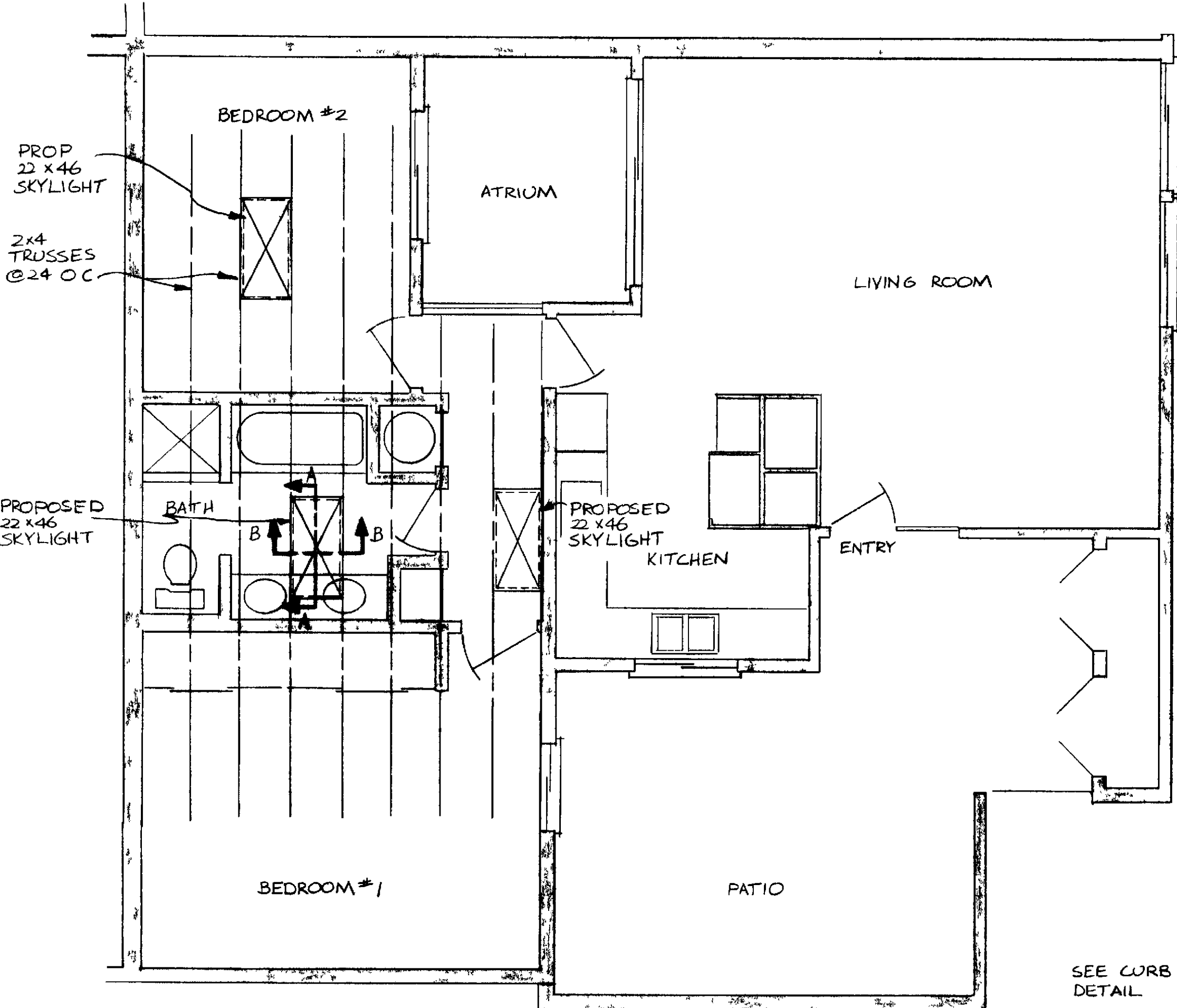
**SKYLIGHTS:** Skylights shall be installed in accordance with the Mutual Permit Application. The contractor shall be responsible for obtaining all necessary permits and approvals.

**SKYLIGHTS:** Skylights shall be installed in accordance with the Mutual Permit Application. The contractor shall be responsible for obtaining all necessary permits and approvals.

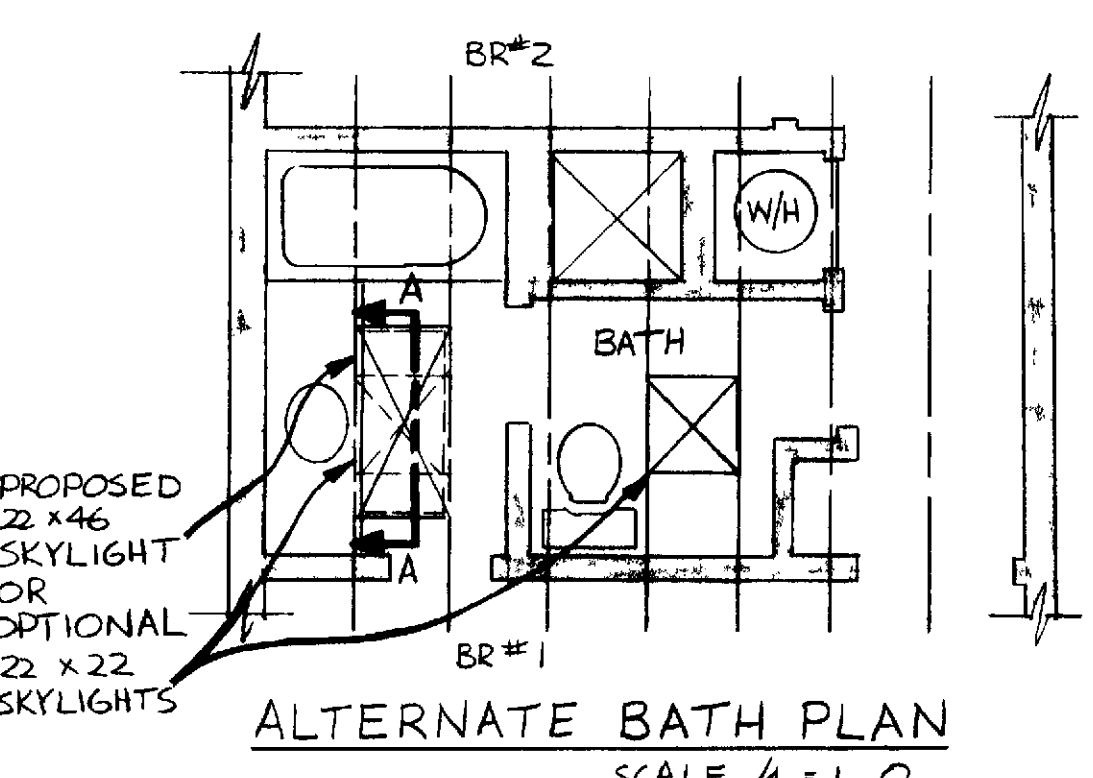
**SKYLIGHTS:** Skylights shall be installed in accordance with the Mutual Permit Application. The contractor shall be responsible for obtaining all necessary permits and approvals.

**SKYLIGHTS:** Skylights shall be installed in accordance with the Mutual Permit Application. The contractor shall be responsible for obtaining all necessary permits and approvals.

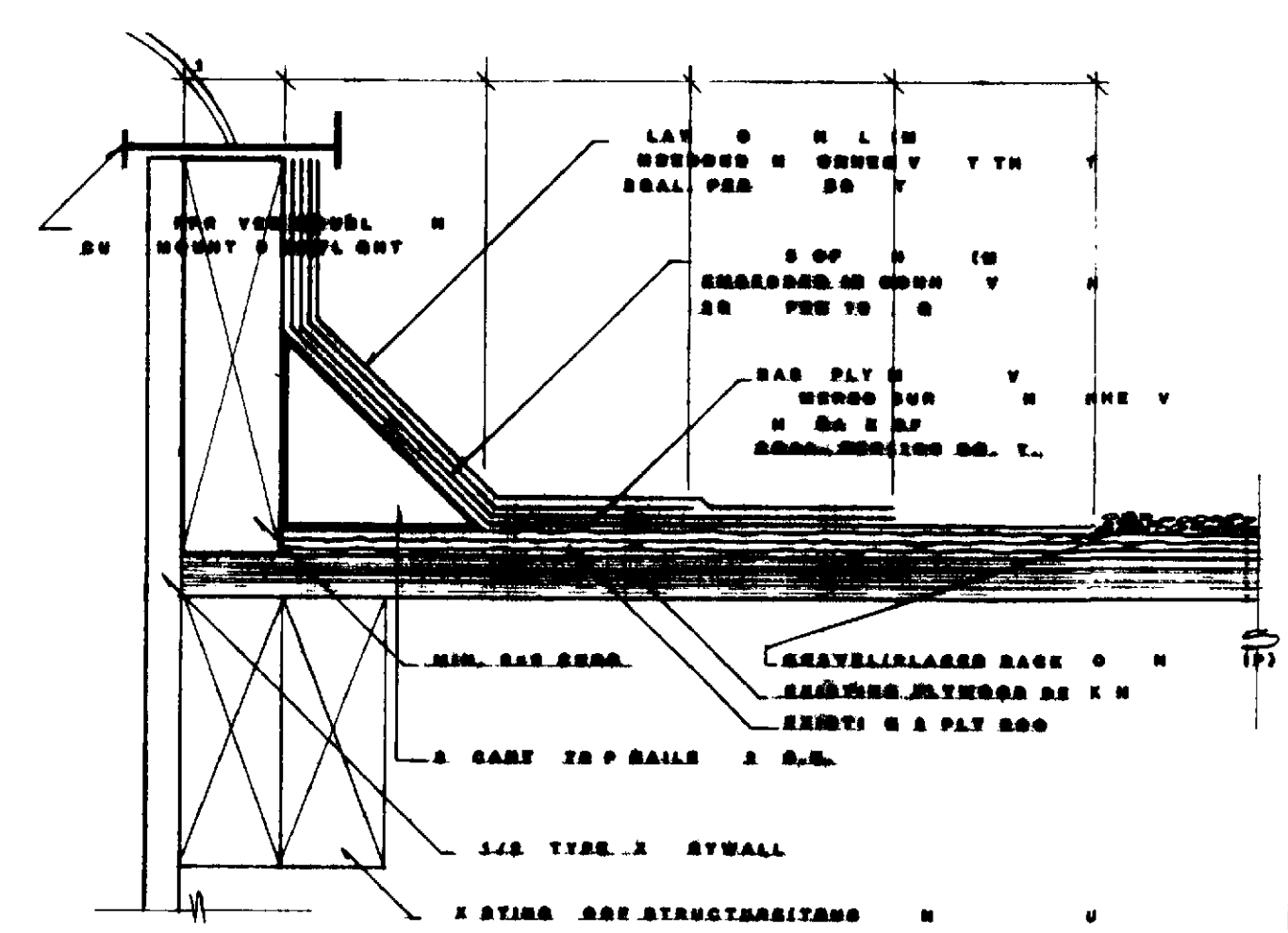
**SKYLIGHTS:** Skylights shall be installed in accordance with the Mutual Permit Application. The contractor shall be responsible for obtaining all necessary permits and approvals.



FLOOR PLAN  
SCALE 4-1-0



ALTERNATE BATH PLAN  
SCALE 4-1-0



40 DETAIL SKYLIGHT INSTALLATION

**SKYLIGHT DOME:** Skylight dome shall be installed in accordance with the manufacturer's instructions. The dome shall be supported by a curb and shall be flashed with 3/4" galvanized steel flashing and sealed with a compatible sealant.

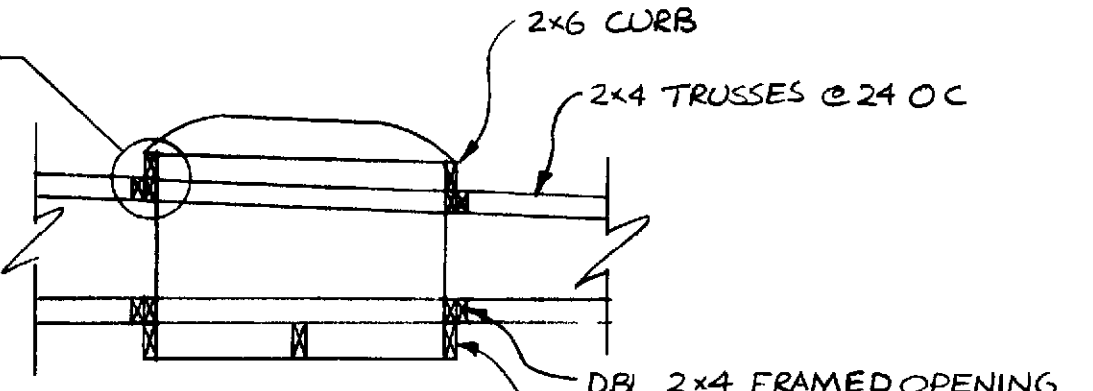
**SKYLIGHT CURB:** Skylight curb shall be installed in accordance with the manufacturer's instructions. The curb shall be supported by a framed opening and shall be flashed with 3/4" galvanized steel flashing and sealed with a compatible sealant.

**SKYLIGHT FRAMED OPENING:** Skylight framed opening shall be installed in accordance with the manufacturer's instructions. The opening shall be supported by a curb and shall be flashed with 3/4" galvanized steel flashing and sealed with a compatible sealant.

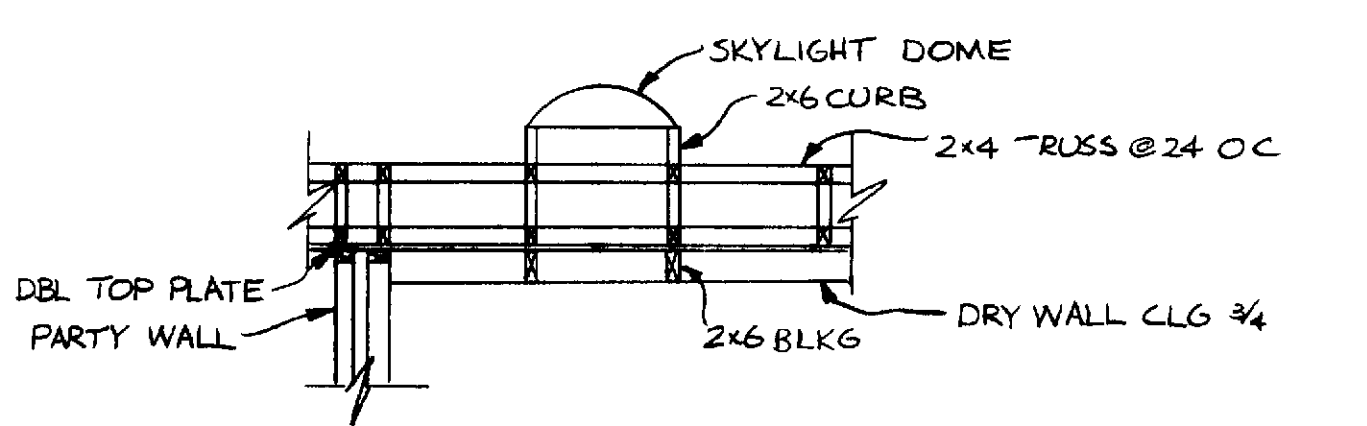
**SKYLIGHT BLOCKING:** Skylight blocking shall be installed in accordance with the manufacturer's instructions. The blocking shall be supported by a framed opening and shall be flashed with 3/4" galvanized steel flashing and sealed with a compatible sealant.

**SKYLIGHT DRY WALL:** Skylight dry wall shall be installed in accordance with the manufacturer's instructions. The dry wall shall be supported by a framed opening and shall be flashed with 3/4" galvanized steel flashing and sealed with a compatible sealant.

**SKYLIGHT BLOCKING:** Skylight blocking shall be installed in accordance with the manufacturer's instructions. The blocking shall be supported by a framed opening and shall be flashed with 3/4" galvanized steel flashing and sealed with a compatible sealant.



SECTION A  
SCALE 3/8-1-0



SECTION B  
SCALE 3/8-1-0

SKYLIGHTS BATHROOM	44
HALLWAY	
BEDROOM	

FG04

DATE (1976) 6/22/93

DRAWN CHRIS MANGELS

APPROVAL TERRY WHITE



M M N M N