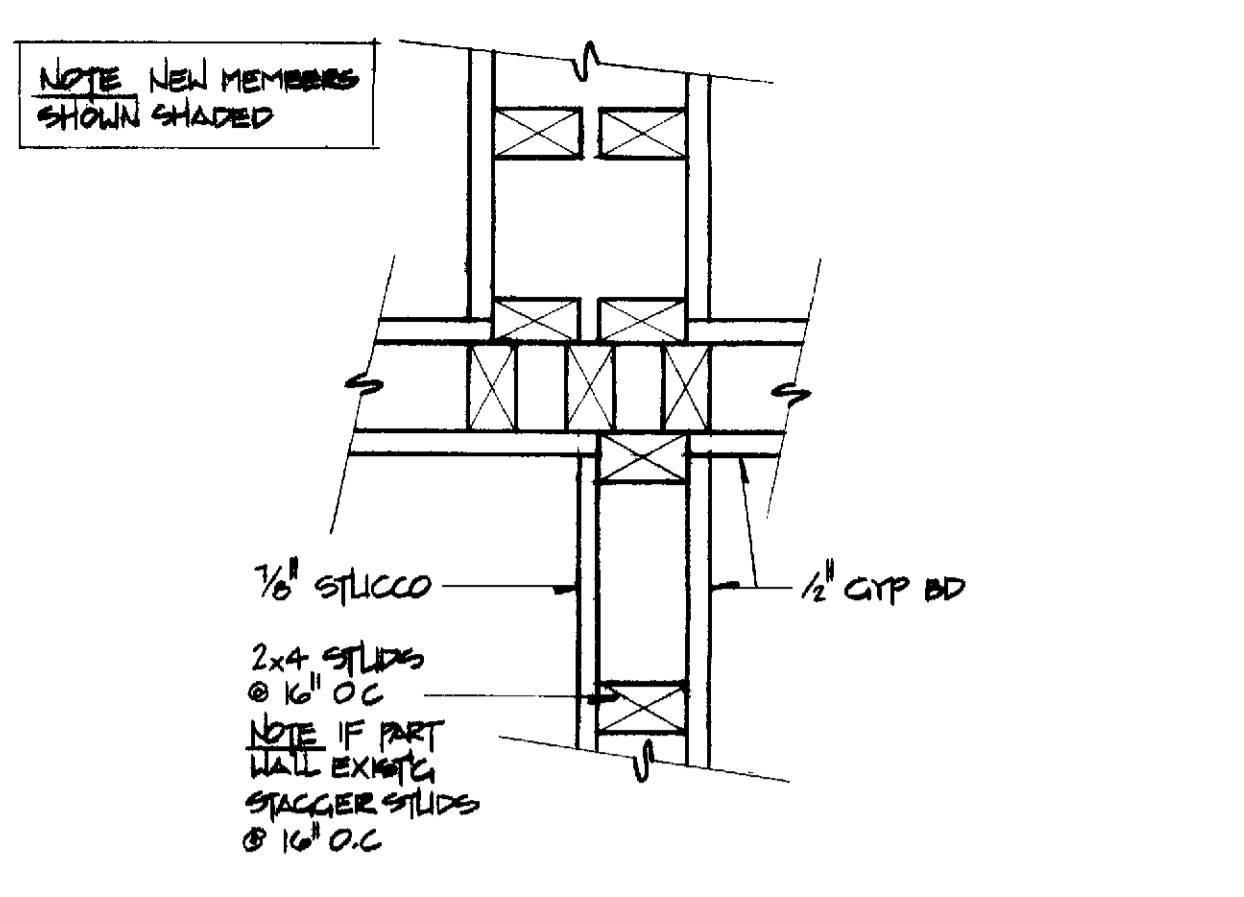


REVISION	
▲	3/22/90
▲	4/16/92
▲	3/10/94 e

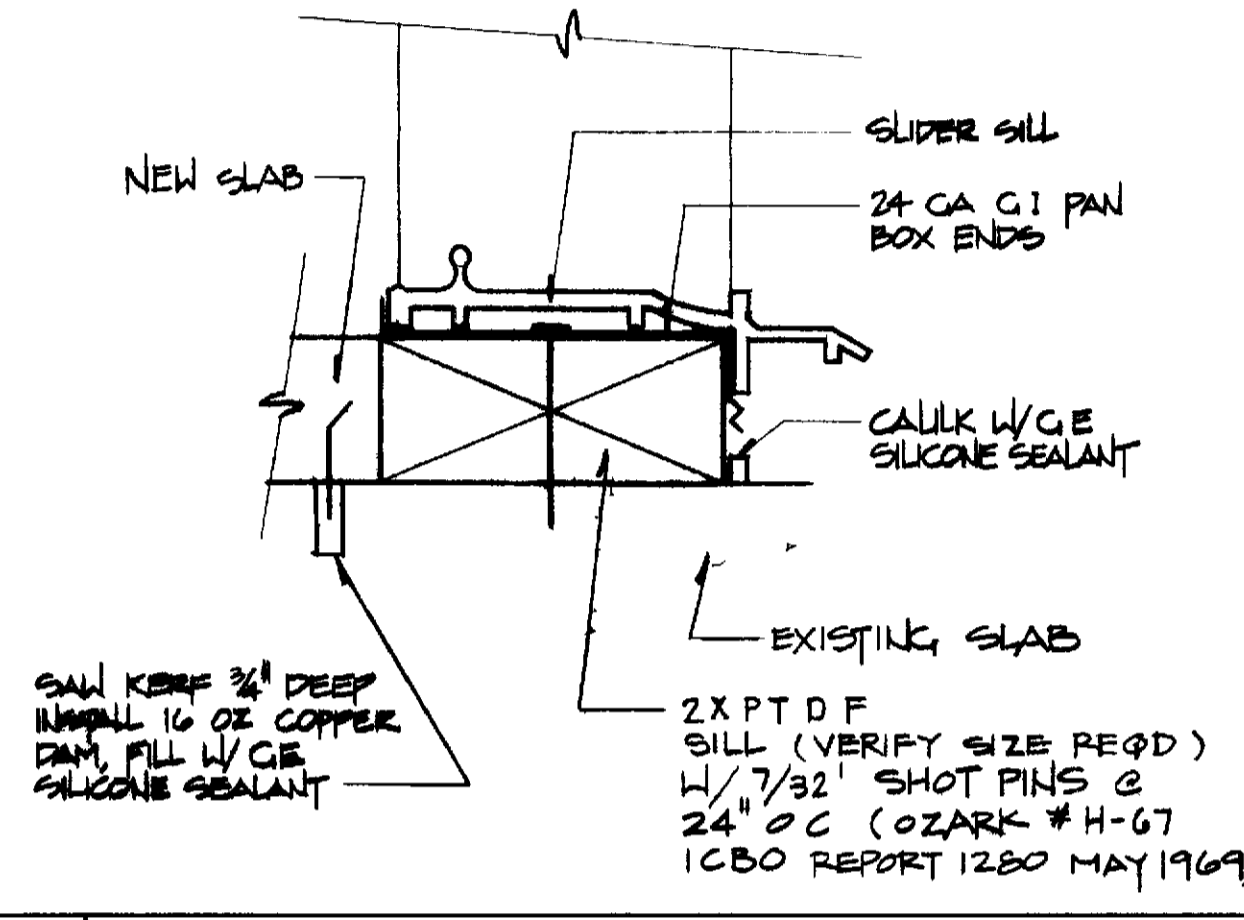
Professional Community Management  
 LEISURE WORLD - LAGUNA HILLS  
 PERMITS & INSPECTIONS DEPARTMENT  
 200 WEST HARBORWAY, SUITE 100, LAGUNA HILLS, CA 92653  
 A 9786 T L Y APPL LATER C

CONSTRUCTION PLANS FOR  
**ROOM ADDITION**  
 5 PLAN

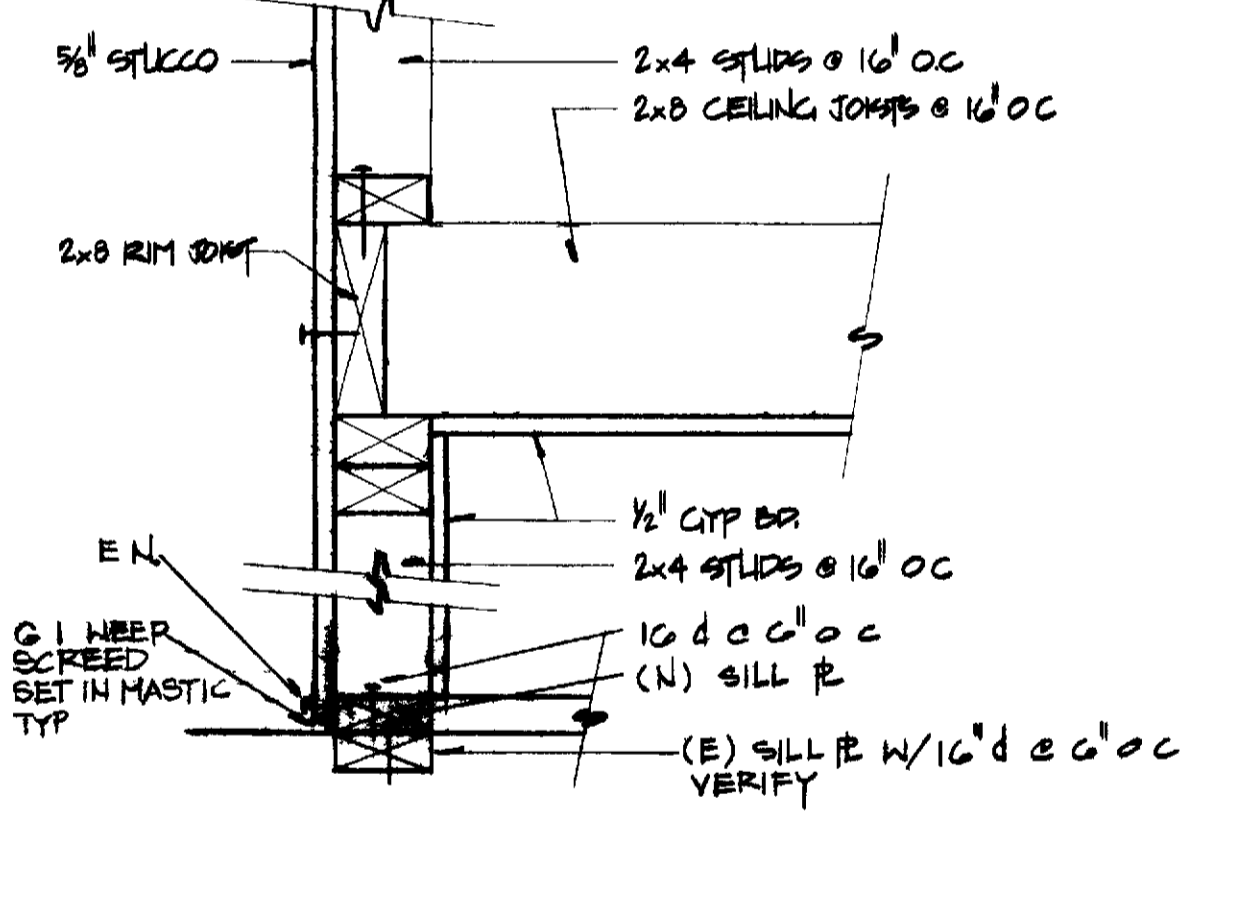
DRAWN BY  
**G CREIGHTON**  
 CHECKED BY  
**C GUIDRY**  
 DATE  
 11/30/89  
 SCALE  
**AS SHOWN**  
 APPROVED BY  
 LEISURE WORLD  
**22**  
 STANDARD PLAN  
 SHEET 2 OF 2 SHEET(S)



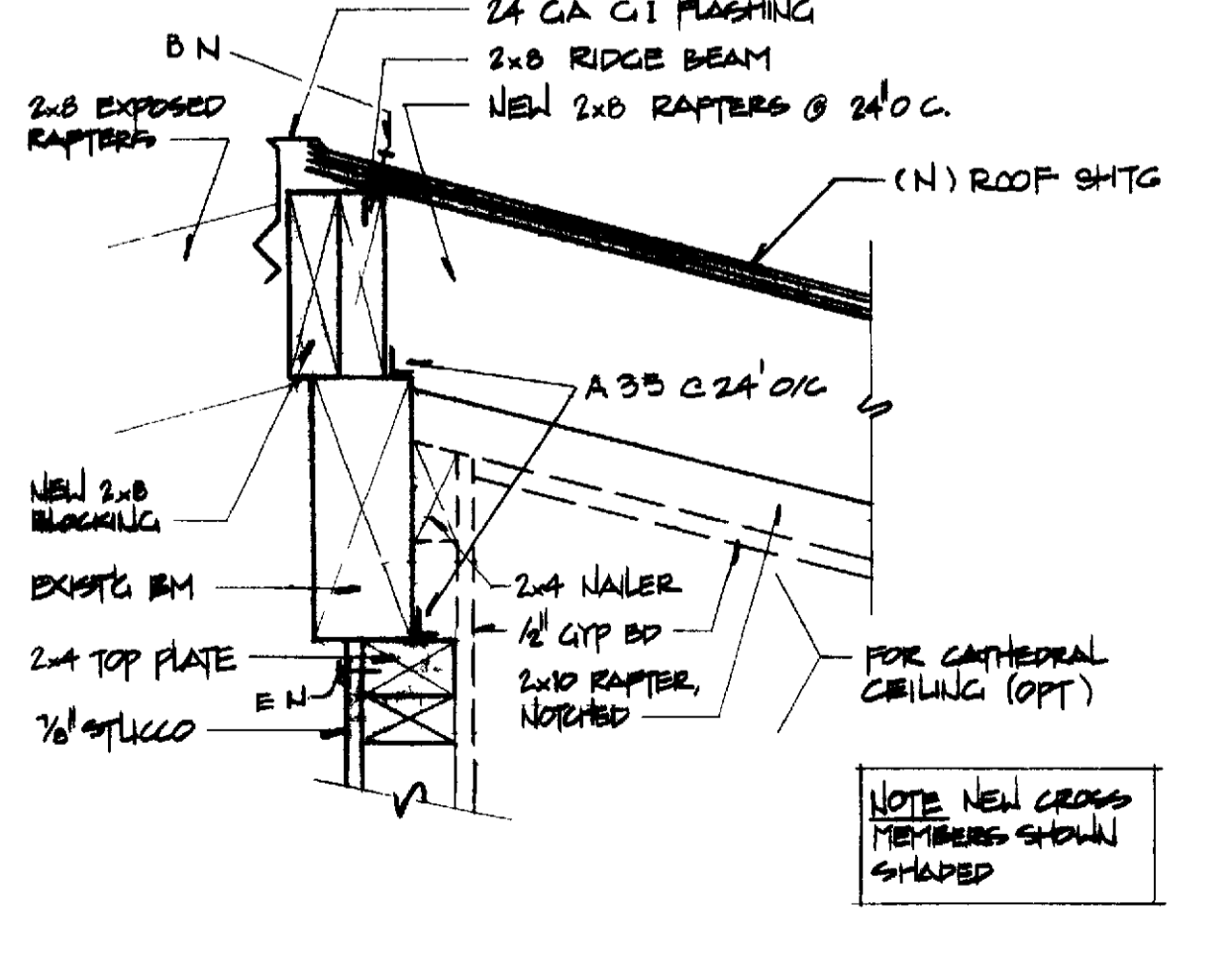
① DETAIL PARTITION WALL SCALE 1/2" = 1'-0"



② DETAIL SLIDING DOOR SILL SCALE 3/4" = 1'-0"

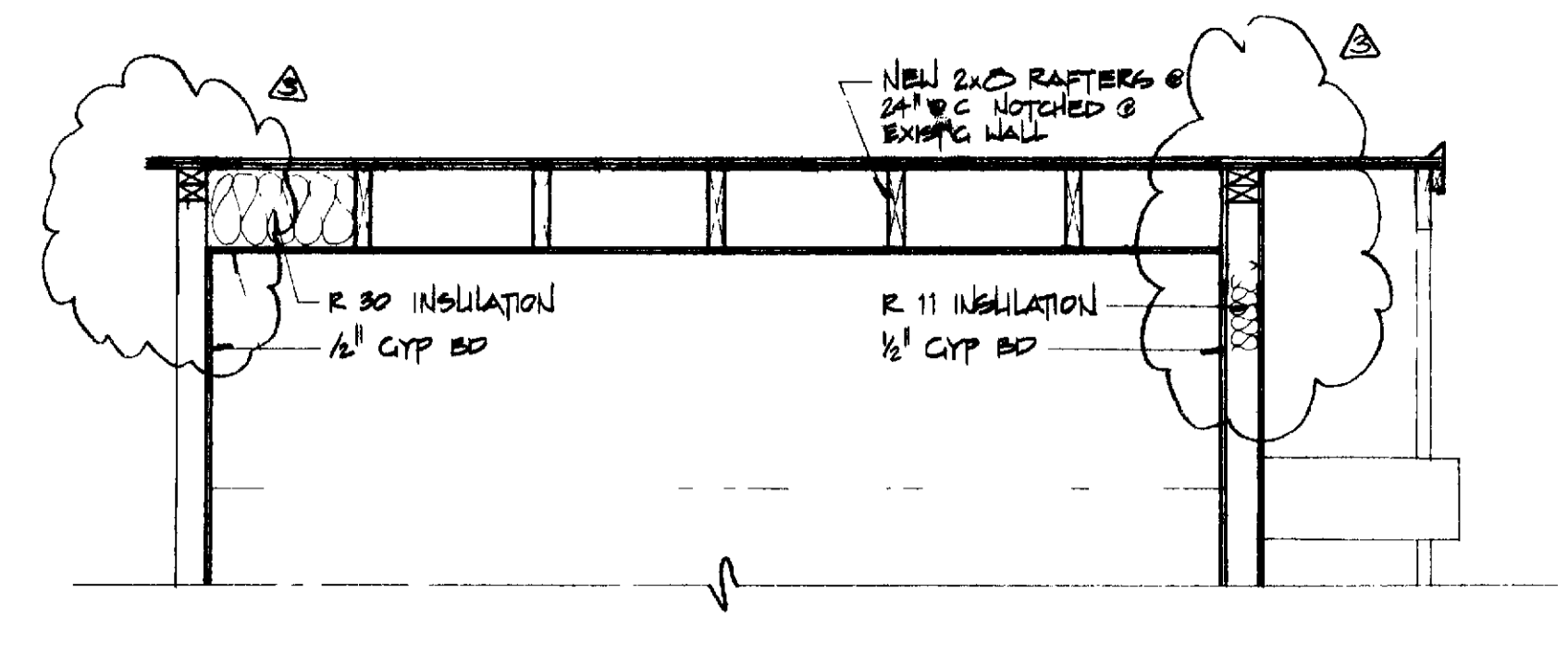


③ DETAIL LOWERED CEILING SCALE 1/2" = 1'-0"

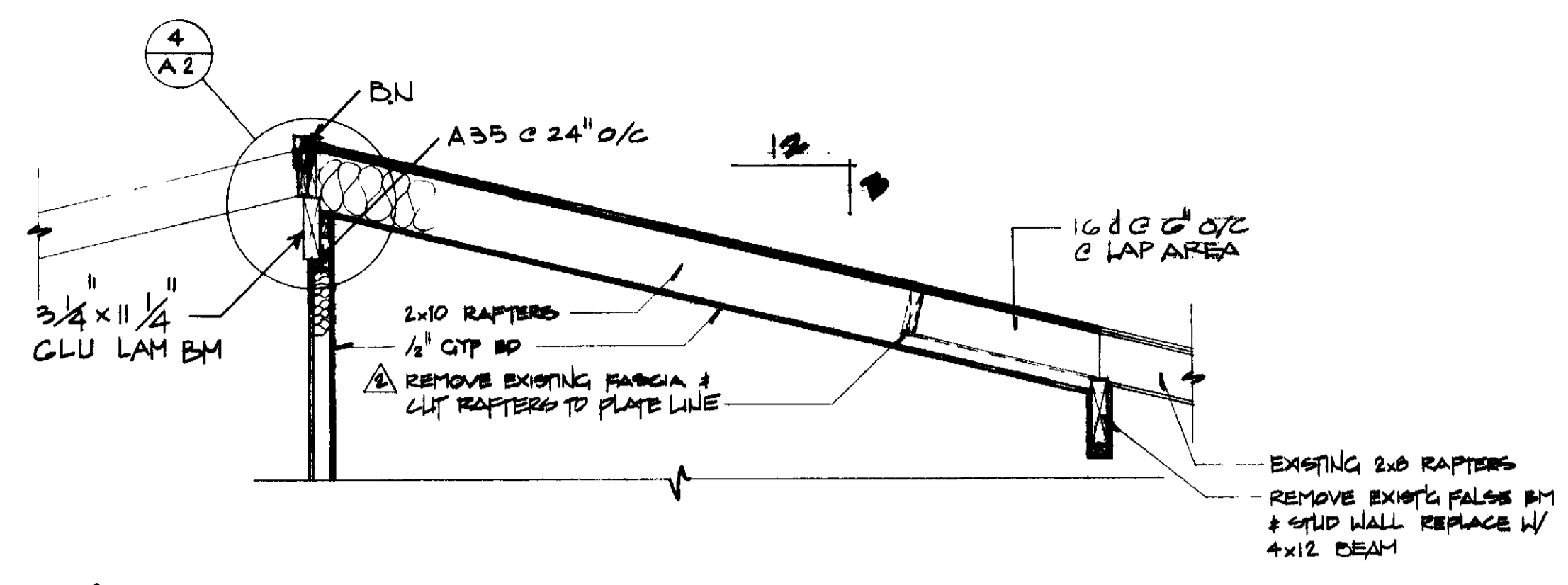


④ DETAIL RIDGE CONNECTION SCALE 1/2" = 1'-0"

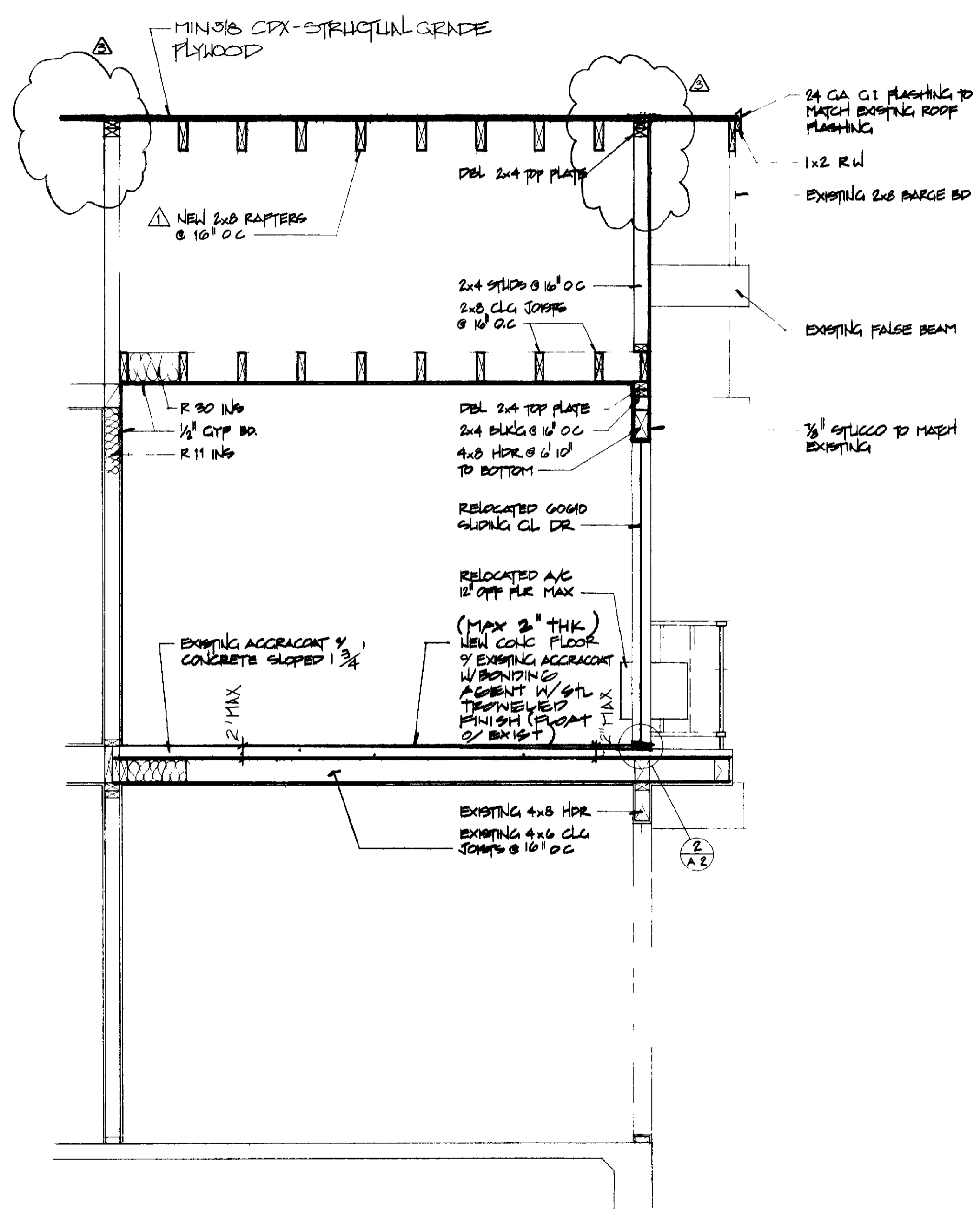
DETAILS



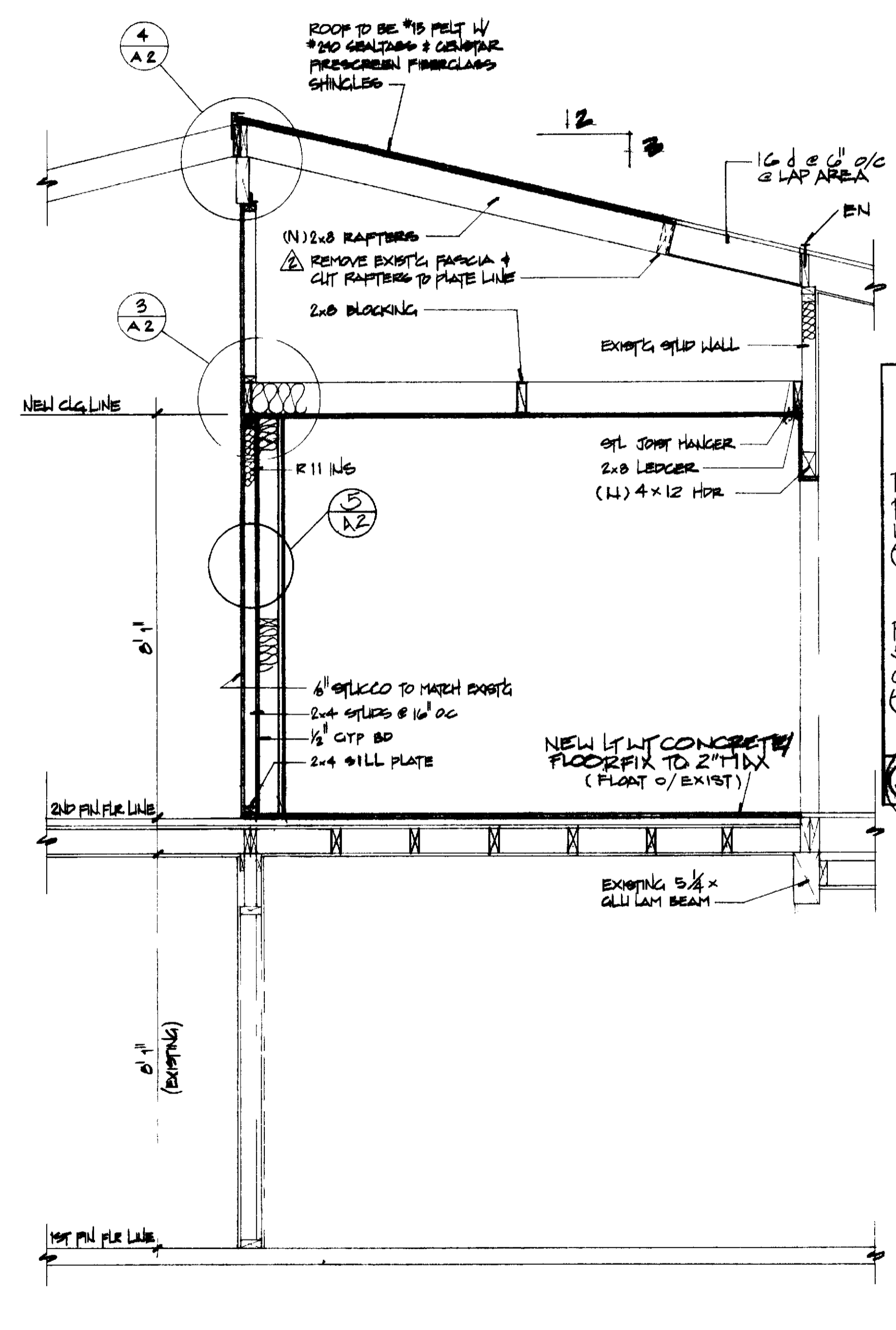
Ⓐ OPTIONAL CATHEDRAL CEILING



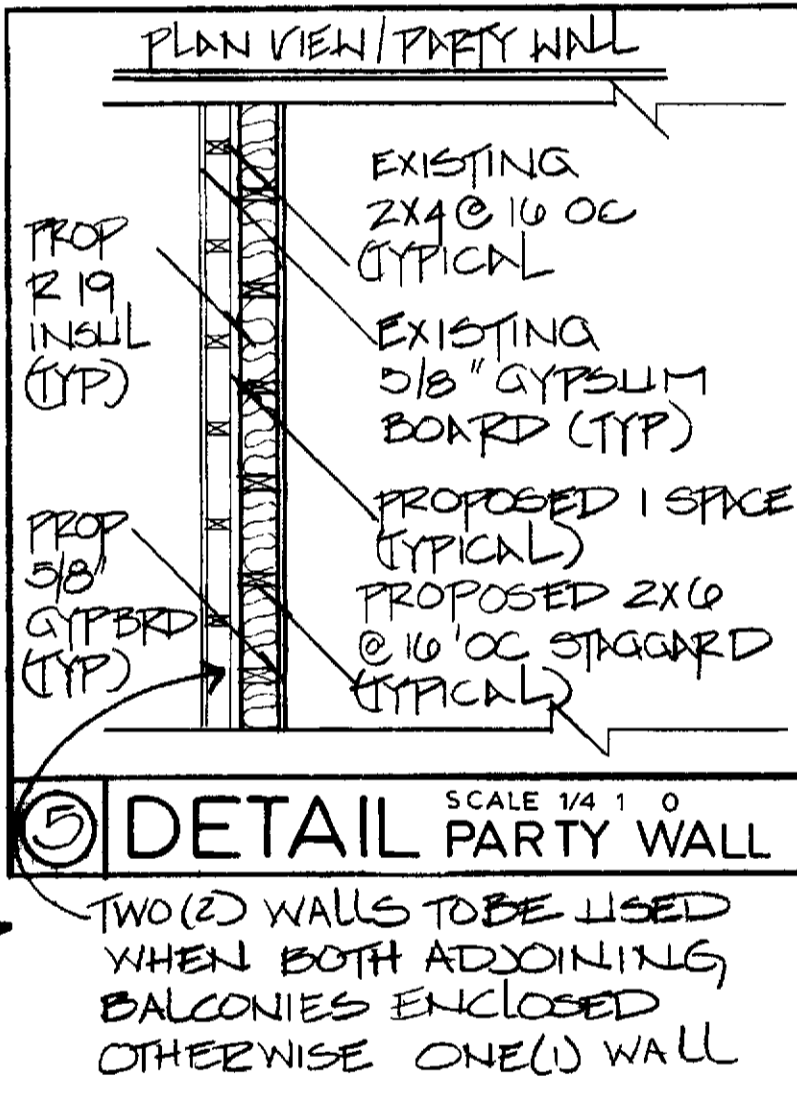
Ⓑ OPTIONAL CATHEDRAL CEILING



Ⓐ ROOM ADDITION W/ LOWERED CEILING SCALE 1/2" = 1'-0"



Ⓑ ROOM ADDITION W/ LOWERED CEILING SCALE 1/2" = 1'-0"



Ⓒ DETAIL PARTY WALL

TYPICAL SECTIONS