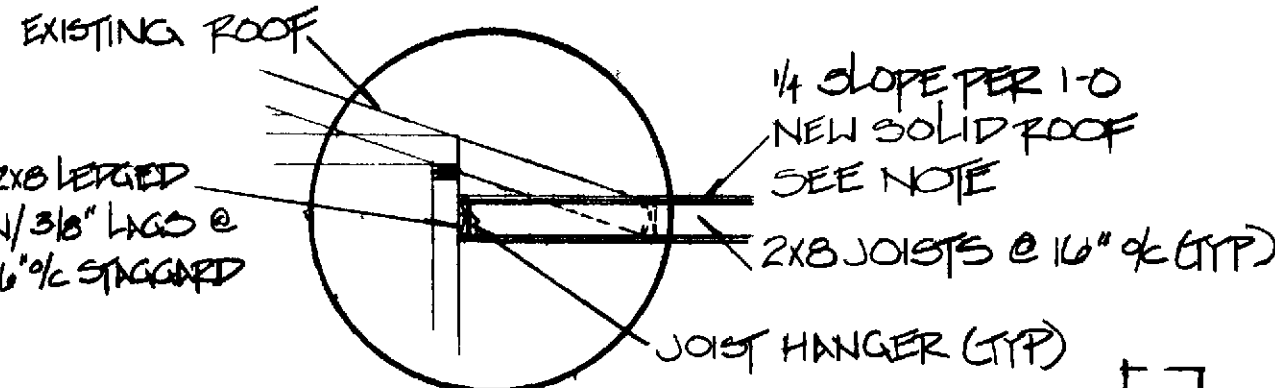
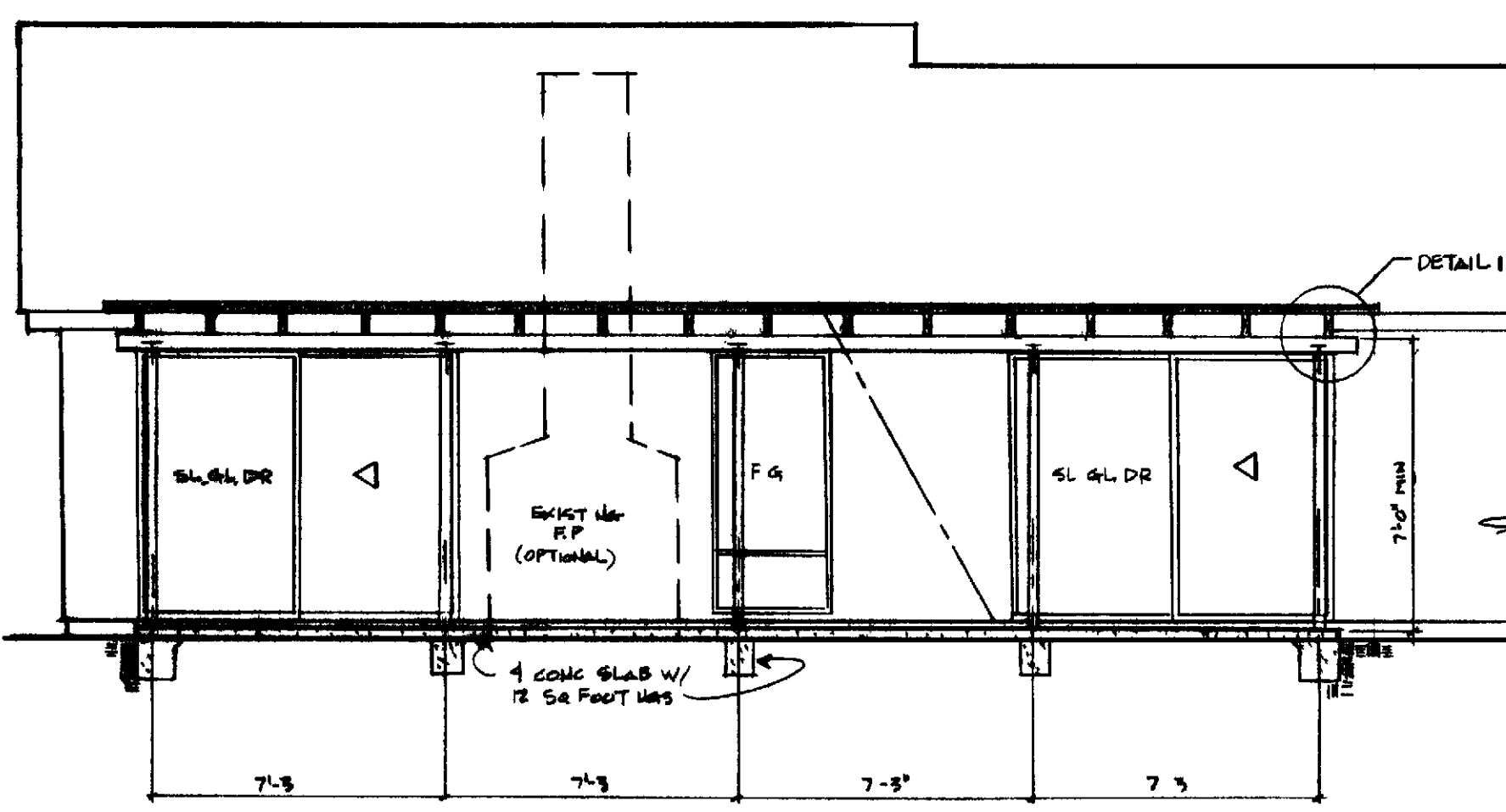


NOTE IF AIR CONDITIONER IS AFFECTED & MUST BE RELOCATED THE CONTRACTOR IS RESPONSIBLE FOR PROVIDING THE REMOVAL & REINSTALLATION THEREOF

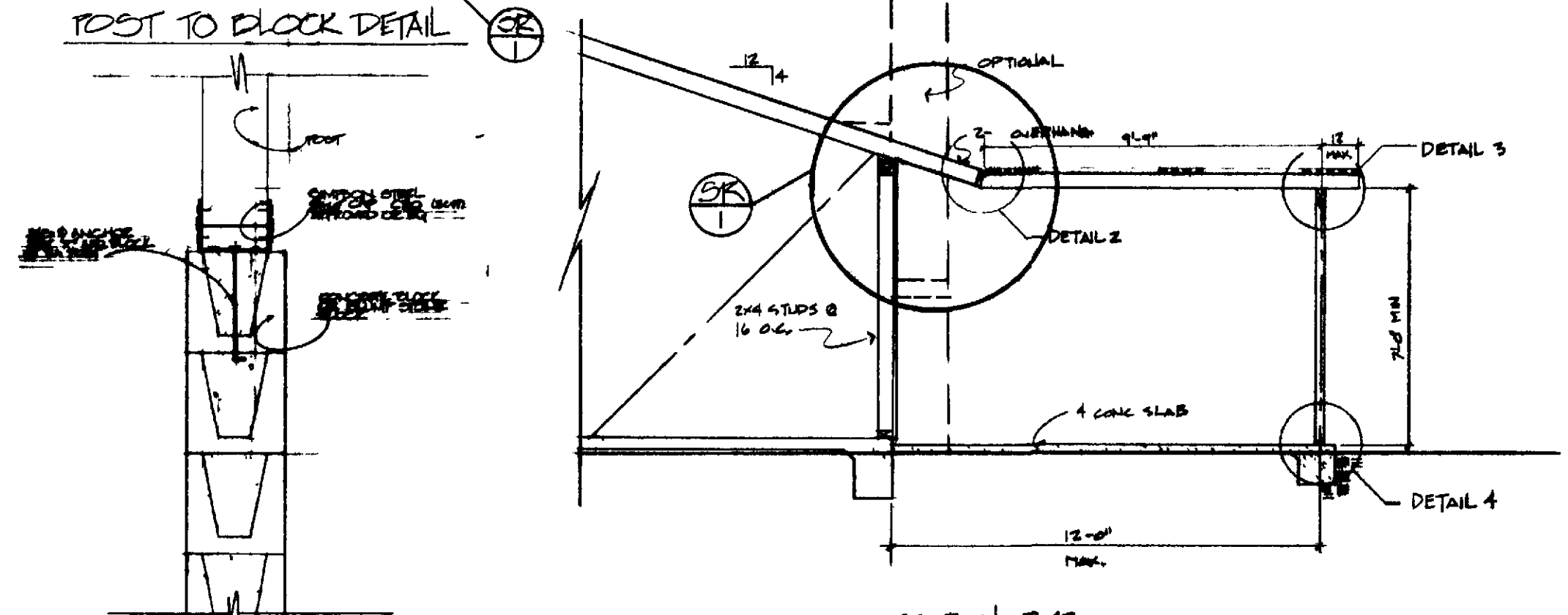
\* CONCRETE THAT WILL BE EXPOSED TO SOIL CONTAINING SULFATE CONCENTRATIONS OF MORE THAN 0.2% SHALL BE MADE W/ TYPE I CEMENT



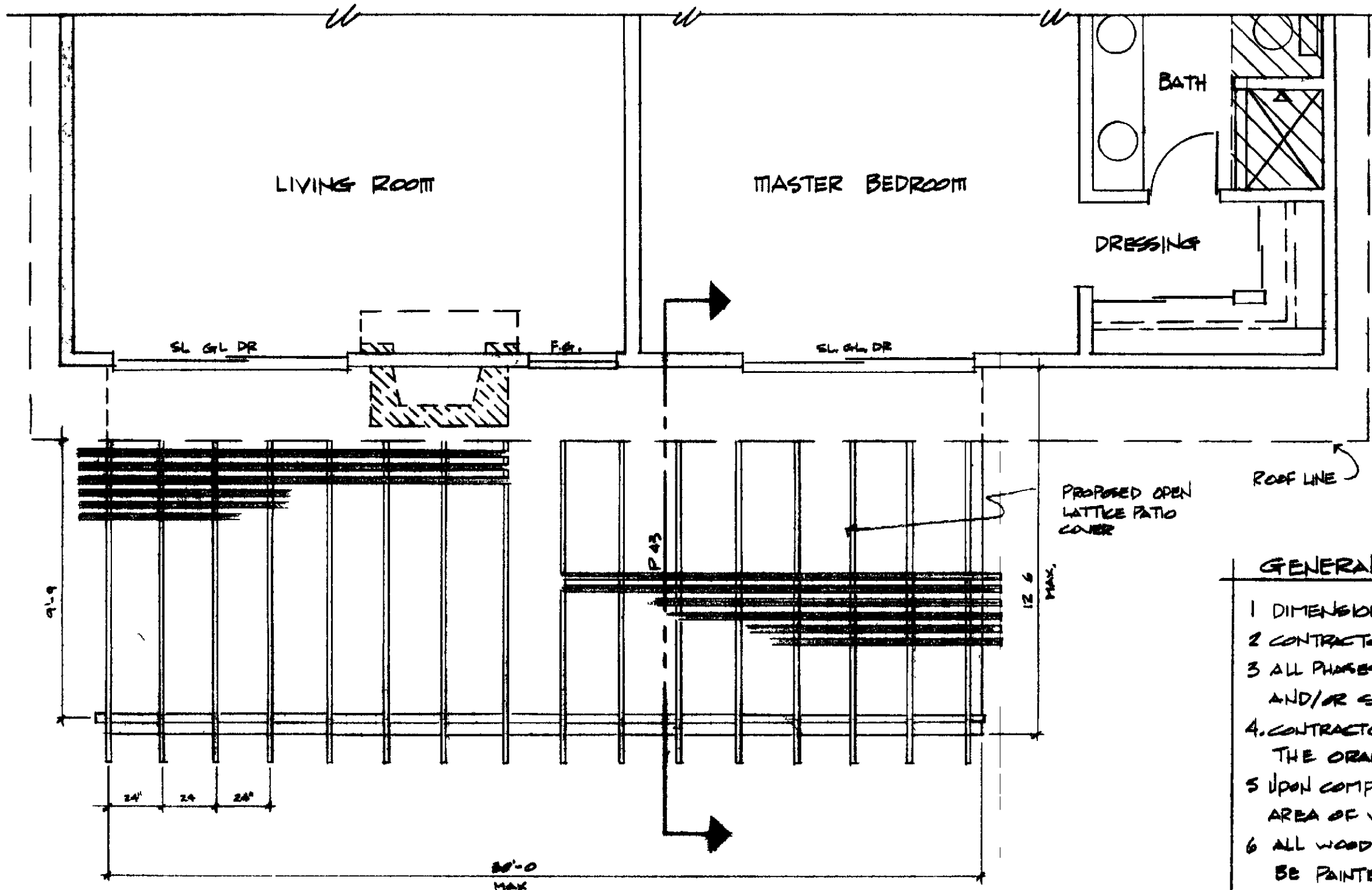
NOTE SOLID ROOF TO BE AS FOLLOWS PER 100 # 1/2" PLYWOOD SHEET W/ COARSE TYPE W 1 (1 LAYER) @ 25 LBS, COMPLY TYPE A (3 LAYERS) @ 33 LBS HOT MOP ASPHALT EACH PLY @ 90 LBS, HOT MOP ASPHALT (SURFACE) @ 60 LBS, GRAVEL (1/4" - 1/2") ASTM D 1863-64 @ 400 LBS, SLAG @ 325 LBS.



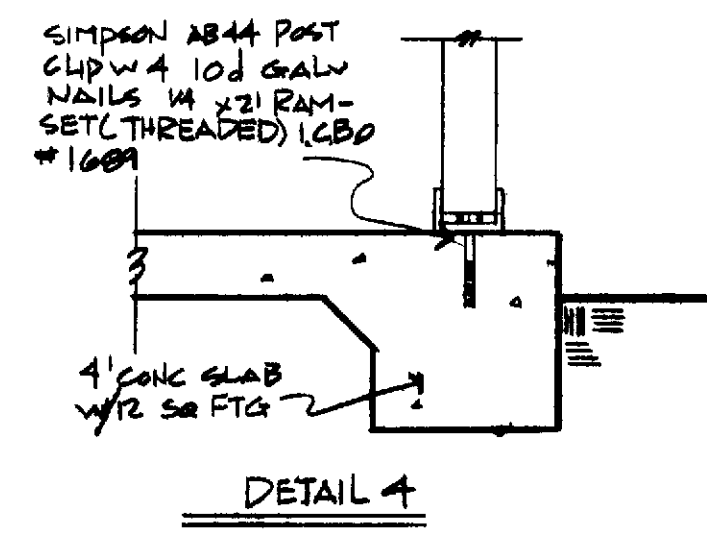
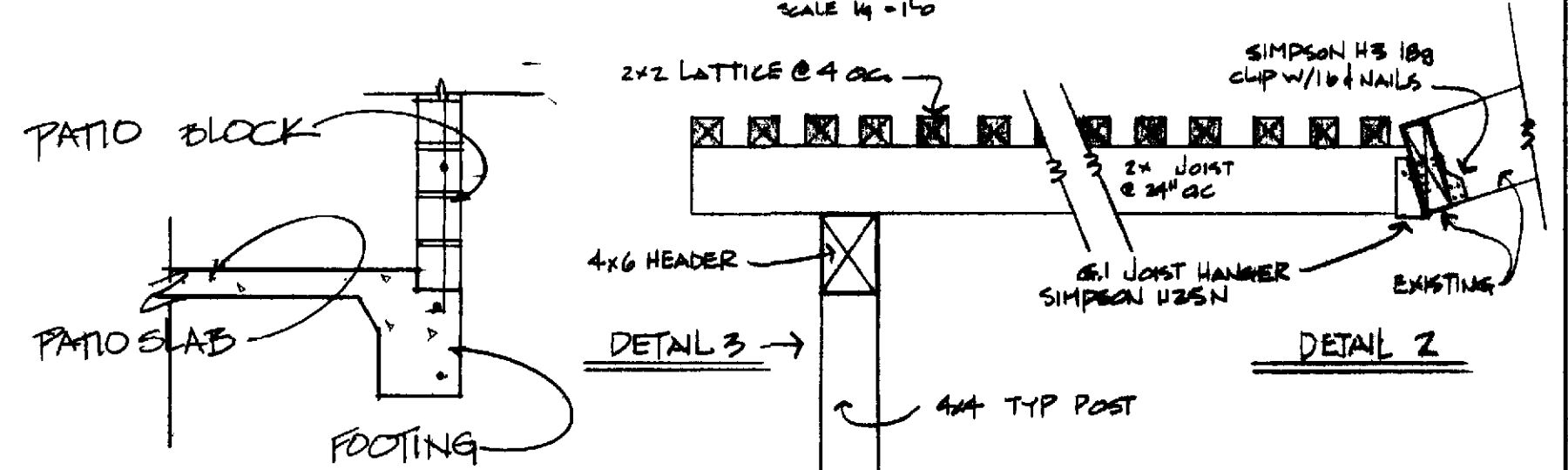
REAR ELEVATION  
SCALE 1/4" = 1'-0"



SECTION R43  
SCALE 1/4" = 1'-0"



PARTIAL FLOOR PLAN  
SCALE 1/4" = 1'-0"



ALLOWABLE SPANS		
SIZE	SPACING	SPAN
2x6	12" OC	10'-0"
	16" OC	11'-0"
	24" OC	12'-0"
	32" OC	13'-0"
	40" OC	14'-0"
	48" OC	15'-0"
	60" OC	16'-0"
2x8	12" OC	12'-0"
	16" OC	13'-0"
	24" OC	14'-0"
	32" OC	15'-0"
	40" OC	16'-0"
	48" OC	17'-0"
	60" OC	18'-0"
HEADERS	4x4	12'-0"
	4x6	14'-0"
	4x8	16'-0"
	4x10	18'-0"

GENERAL NOTES

- 1 DIMENSIONS HAVE PREFERENCE OVER SCALE
- 2 CONTRACTOR SHALL VERIFY ALL DIMENSIONS & CONDITIONS @ EACH JOB SITE
- 3 ALL PHASES OF CONSTRUCTION SHALL COMPLY W/CURRENT ED OF THE UBC AND/OR STATE & LOCAL CODES
- 4 CONTRACTOR SHALL SECURE & PAY FOR ALL PERMITS REQ'D BY PCM & THE ORANGE COUNTY BUILDING DEPARTMENT
- 5 UPON COMPLETION CONTRACTOR SHALL REMOVE ALL DEBRIS & LEAVE AREA OF WORK BROOM CLEAN
- 6 ALL WOOD MEMBERS SHALL BE STAINED TO MATCH EXISTING TRIM METAL TO BE PAINTED FLAT BLACK
- 7 VERTICAL FRAMING SHALL BE STUD GRADE OR BETTER HORIZONTAL FRAMING TO BE #2 DF-L OR BETTER
- 8 CONC TO BE 2000 PSI @ 28 DAYS MIN
- 9 ALL FASTENERS EXPOSED TO WEATHERING SHALL BE GALVANIZED.

OPEN LATTICE PATIO COVER (REAR) OR SOLID COVER  
R43, R43R  
R43

LEISURE WORLD  
STANDARD PLAN  
NUMBER 199

PROFESSIONAL COMMUNITY MAT INC  
APPROVED *[Signature]*

PCM INC. 380-4616 199  
P.O. B. 2220 LAGUNA HILLS

PREVIOUS APPROVALS OCS# 73449  
MAY 31, 1973 IDW