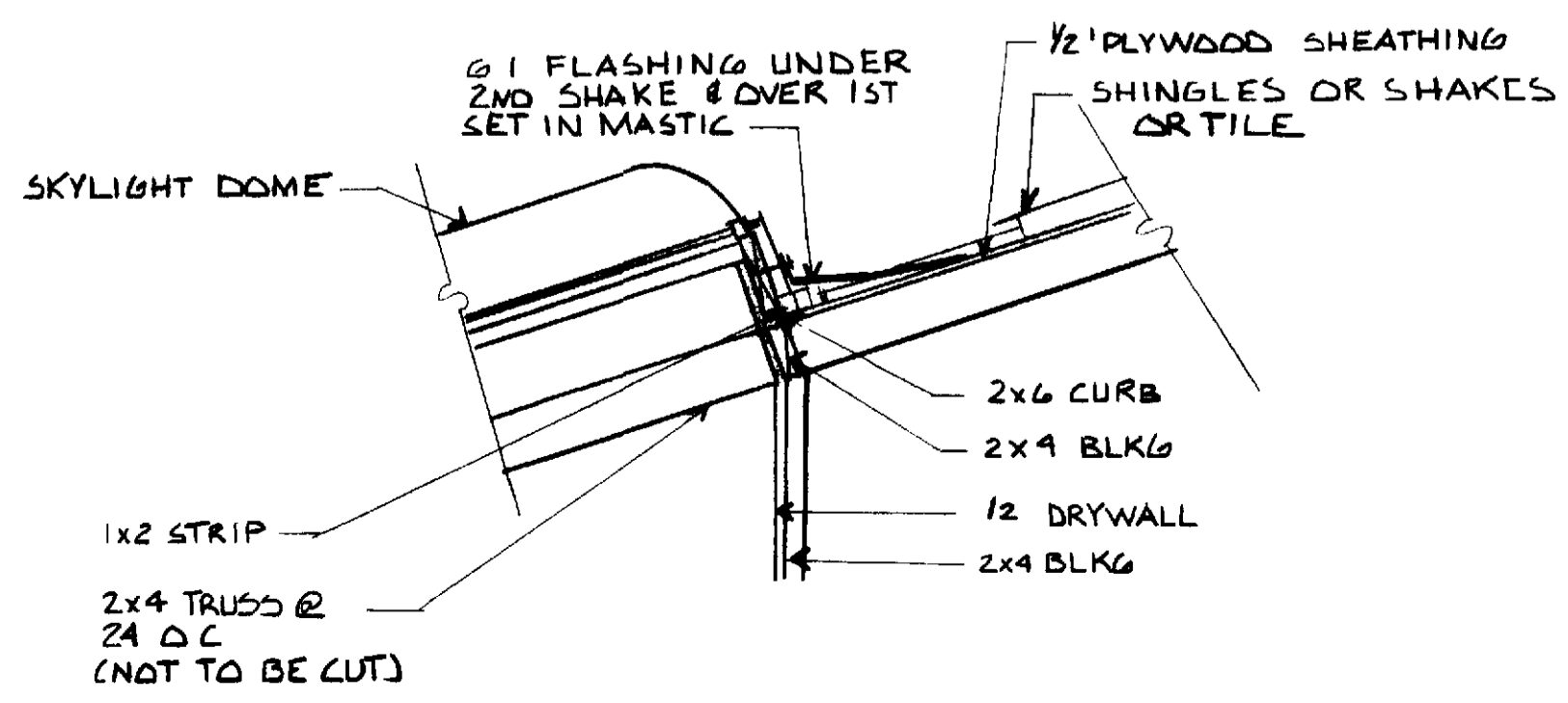


FLOOR PLAN
SCALE 1/4" = 1'-0"



TYPICAL CURB DETAIL
SCALE 1" = 1'-0"

NOTES

- 1 Dimen have pr fr n v r l
- 2 C ntract r shall v rify ll d m n i n and n d t i n @ h j b at pri r t m m e n i n g n t r u t i n
- 3 C ntract r h ll ur and pay fr ll p r m i t r q u r d by P C M I n and O r a n g C u n t y B u i l d i n g D e p t
- 4 A l l p h a s e i n s t r u c t i o n h a l l m p l y w t h c u r r e n t E d f t h U B C a n d / r t a t a n d l i d
- 5 U p n o m p l t i n n t r t r h a l l r e m o v l l d b r i a n d e x m a t r l a d l a v a r f w r k b r o m l e a n
- 6 C ntract r t f u r n i s h a d d i t i o n a l t r u c t u r a l d r a w i n g a n d c a l c u l a t i o n r q u e r e d b y b u i l d i n g o f f i c i a l
- 7 F r a m i n g L u m b e r H r i n g a l D E L # 2 (r b t t r) V r t i c a l D F L # 2
- 8 T y p o f n t r u t o n V N
- 9 G r o u p u p a n c y R 1
- 10 S k y l i g h t w l l a n d a l l e x p d w d t b d r y w a l l d a n d t a p d n t r u t b e c u t
- 11 A l l f a s t e n e r x p d t w t h r i n g h l l b r r i v r i t a n t r g l v a n i d m e t l
- 12 S k y l i g h t h a l l b I C B O N 1998 a p p r v e d t e m
- 13 S k y l i g h t m a y b i n t l l d n a n y o m b i n t i o n t t x d T i t l X X I V f t h C a l i f r n S t t E n r g y C n s v a t i o n S t a n d r d
- 14 N O S E L F - F L A S H I N G S K Y L I T E S A R E A L L O W E D N O E X C E P T I O N S
- 15 A L L S K Y L I T E S S H A L L B E F A S T E N E D W I T H C A P S C R E W S N A I L S A R E N O T P E R M I S S I B L E
- 16 A L L S K Y L I T E S S H A L L B E R E Q U I R E D T O H A V E A M I N I M U M O F 3/4" C L E A R A N C E A B O V E T H E R O O F

VILLA PARAISA C-13
SKYLIGHT PLAN

LEISURE WORLD
STANDARD PLAN 191

PROFESSIONAL COMMUNITY MGMT INC
POB 2220 LAGUNA HILLS CA
302-4616

APPROVED BY _____

6-28-83 C. GURRY