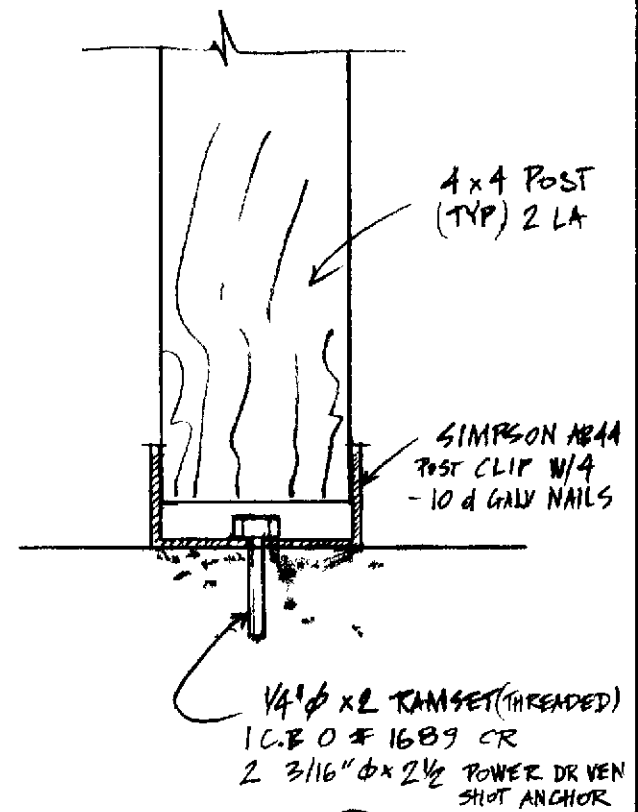
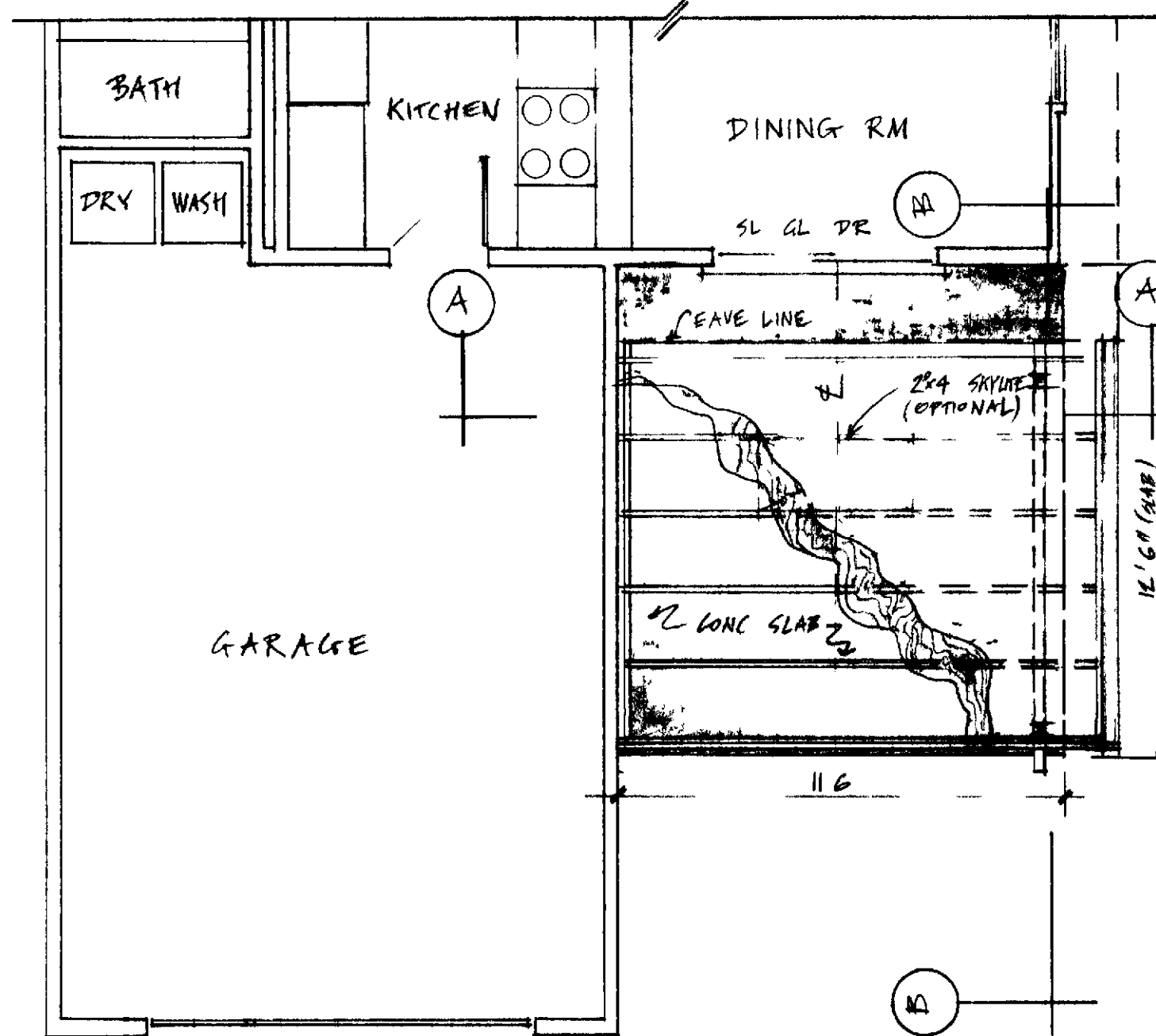


DETAIL 1
SC 3 = 10

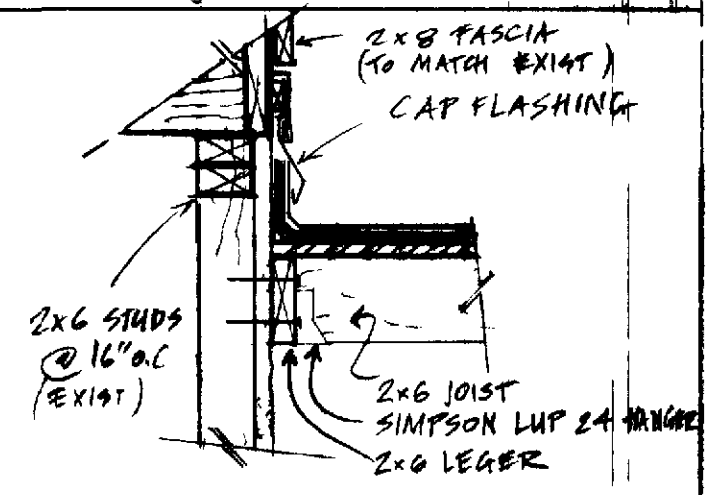


DETAIL 2
SC 3 = 10'

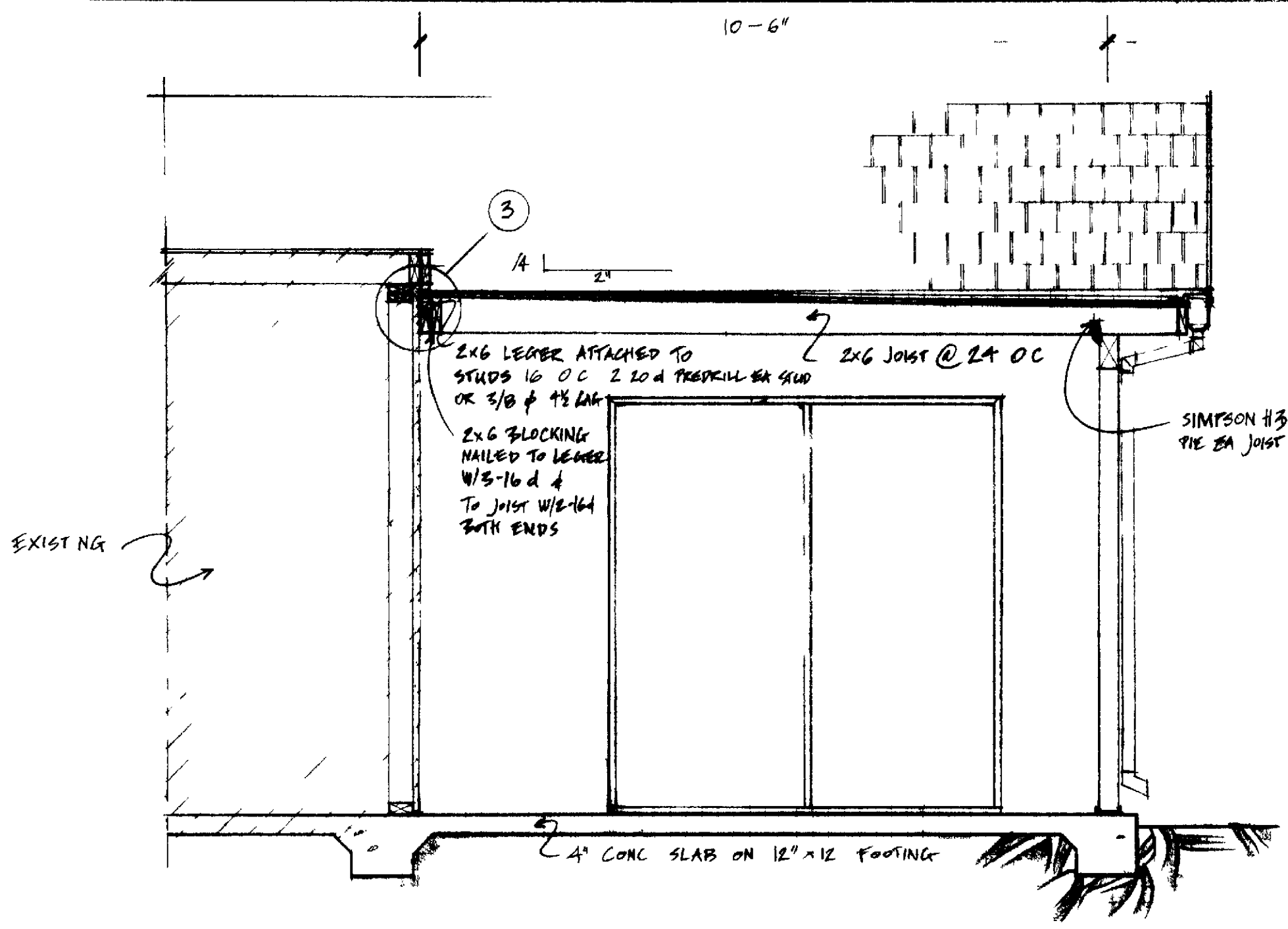


PARTIAL FLOOR PLAN
SC 1/4" = 10"

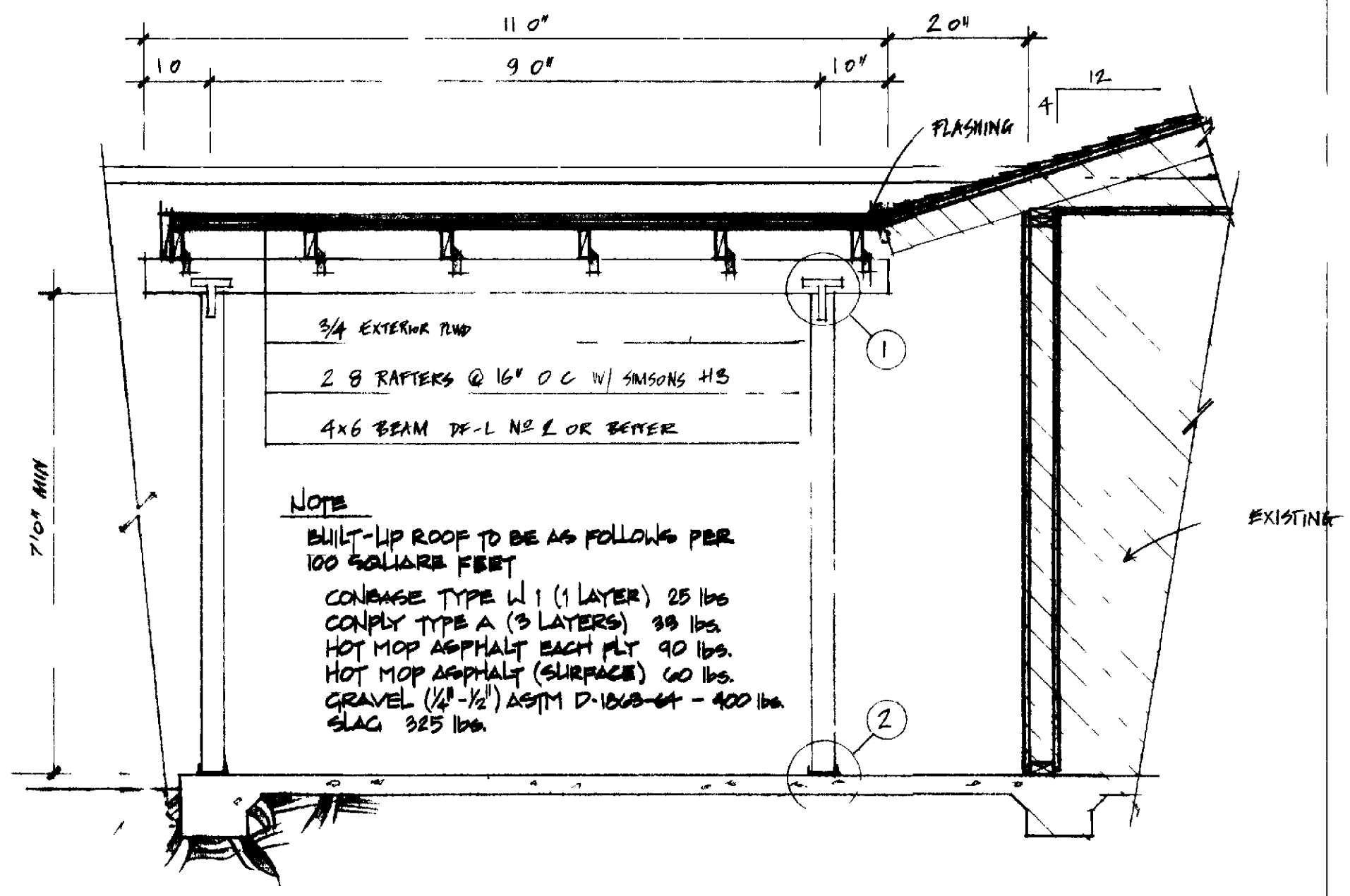
- GENERAL NOTES**
1. Dimensions have precedence over scale.
 2. Contractor shall verify all dimensions and conditions at each job site.
 3. All phases of construction shall comply with the current edition of the UBC and/or state & local codes.
 4. All wood members shall be stained to match existing trim material shall be painted flat black.
 5. Contractor shall secure and pay for all permits required by PCM, Inc., and the Orange County Dept. of Building and Safety.
 6. Upon completion the Contractor shall remove all debris and excess materials and leave all work broom clean.
 7. Vertical framing shall be stud grade or better horizontal framing shall be #2 DFL or better.



DETAIL 3



SECTION A-A
SC 1/2" = 10



SECTION B-B
SC 1/2" = 10

NOTE
BUILT-UP ROOF TO BE AS FOLLOWS PER 100 SQUARE FEET
CONCRETE TYPE W1 (1 LAYER) 25 lbs.
CONPLY TYPE A (3 LAYERS) 33 lbs.
HOT MOP ASPHALT EACH PLY 90 lbs.
HOT MOP ASPHALT (SURFACE) 60 lbs.
GRAVEL (1/2" - 3/4") ASTM D-1068-64 - 400 lbs.
SLAG 325 lbs.

PROFESSIONAL
CONSTRUCTION
MANAGEMENT
INC. AGENT
PERMITS & INSPECTIONS
DEPARTMENT
LARRY WOODS, LARRY WOODS, LARRY WOODS
LARRY WOODS, LARRY WOODS, LARRY WOODS
P.O. Box 2208
Laguna Hills, CA 92653 (714) 380-4848

SOLID ROOF PATIO COVER
LA PRINCESA PLAN 41

SHEET NO
113
ALTERNATIVE
OF 1 SHEET