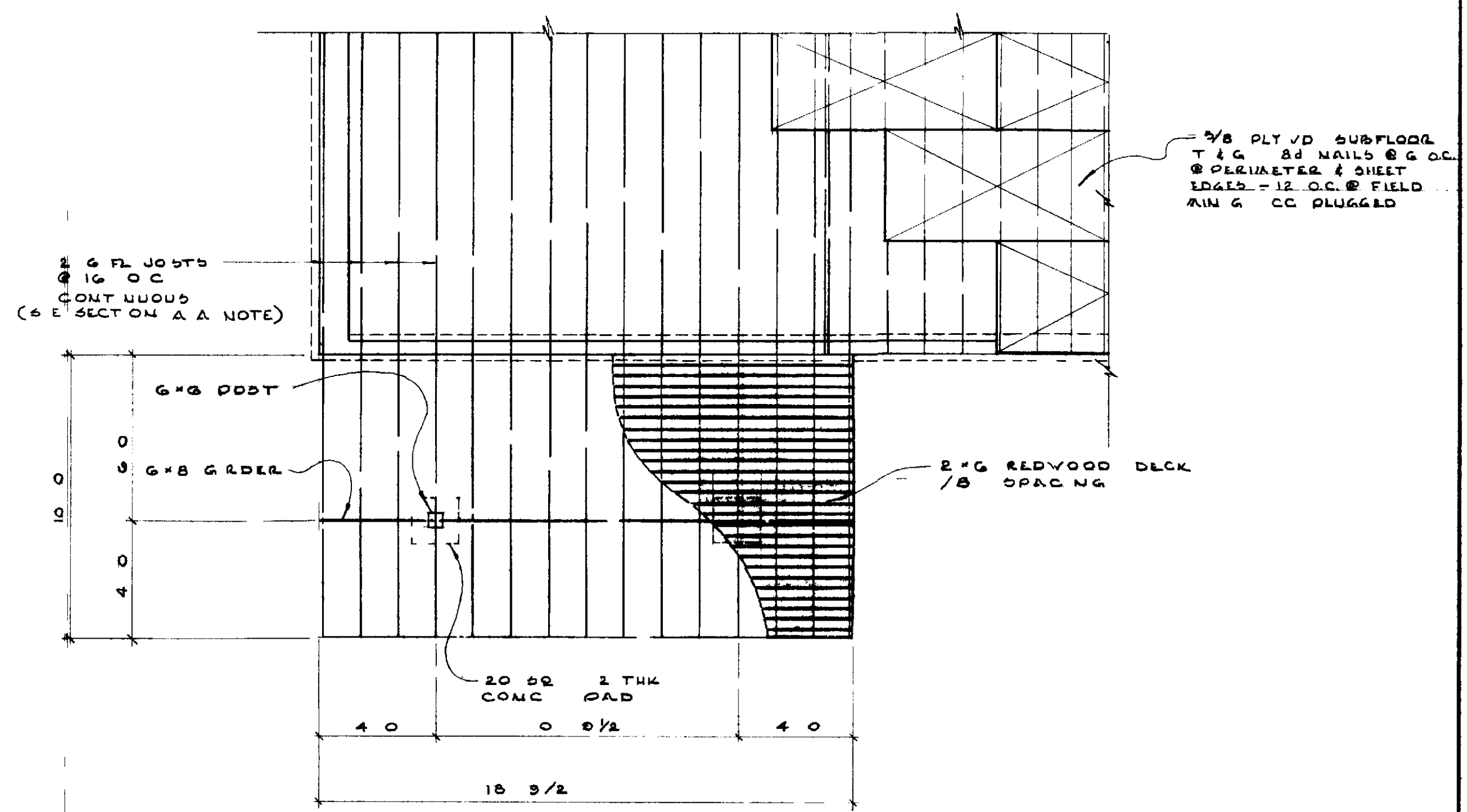


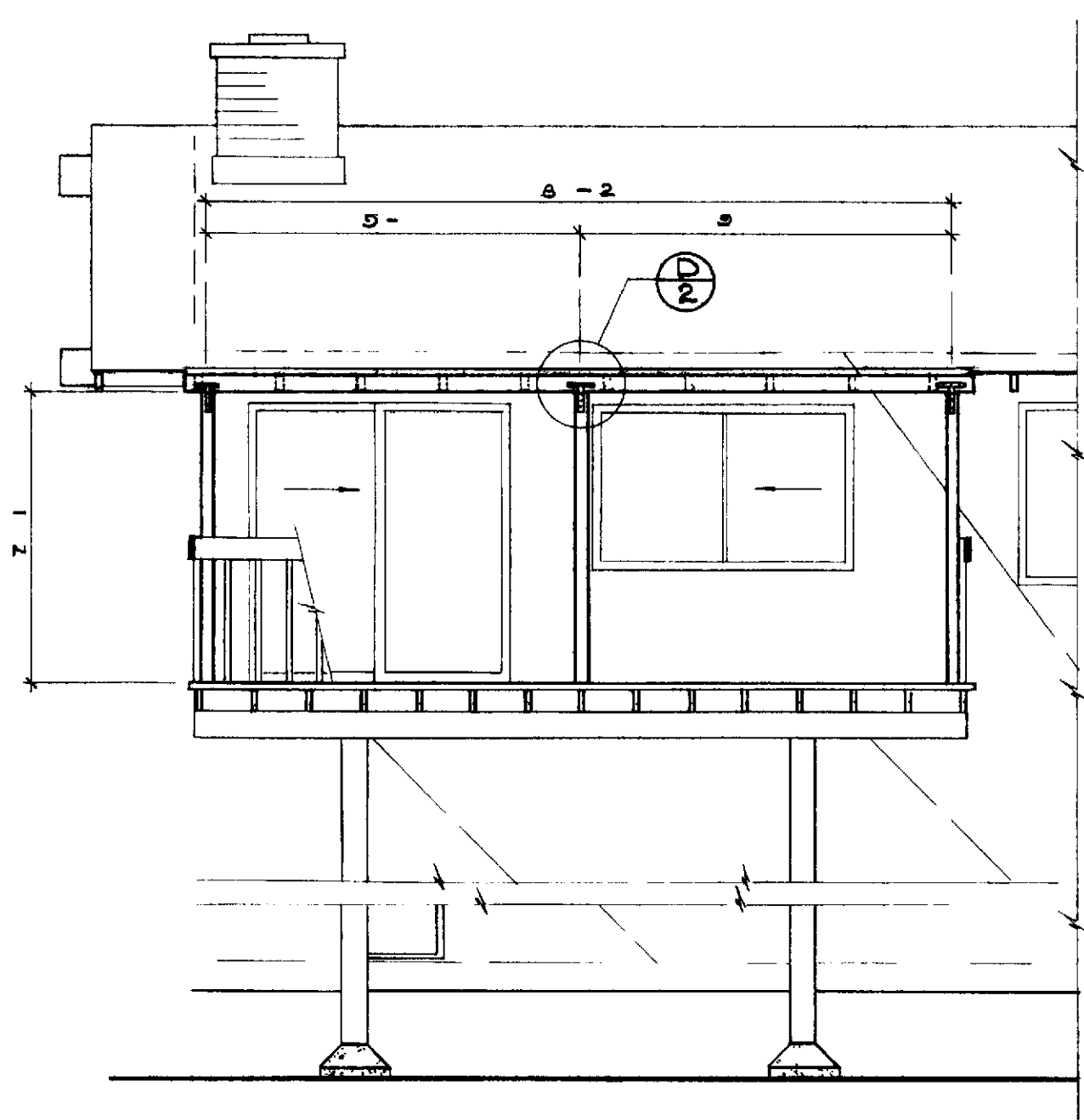
(PARTIAL) FLOOR PLAN

SCALE 1/4" = 1'-0"



(PARTIAL) FOUNDATION & FLOOR FRAMING PLAN

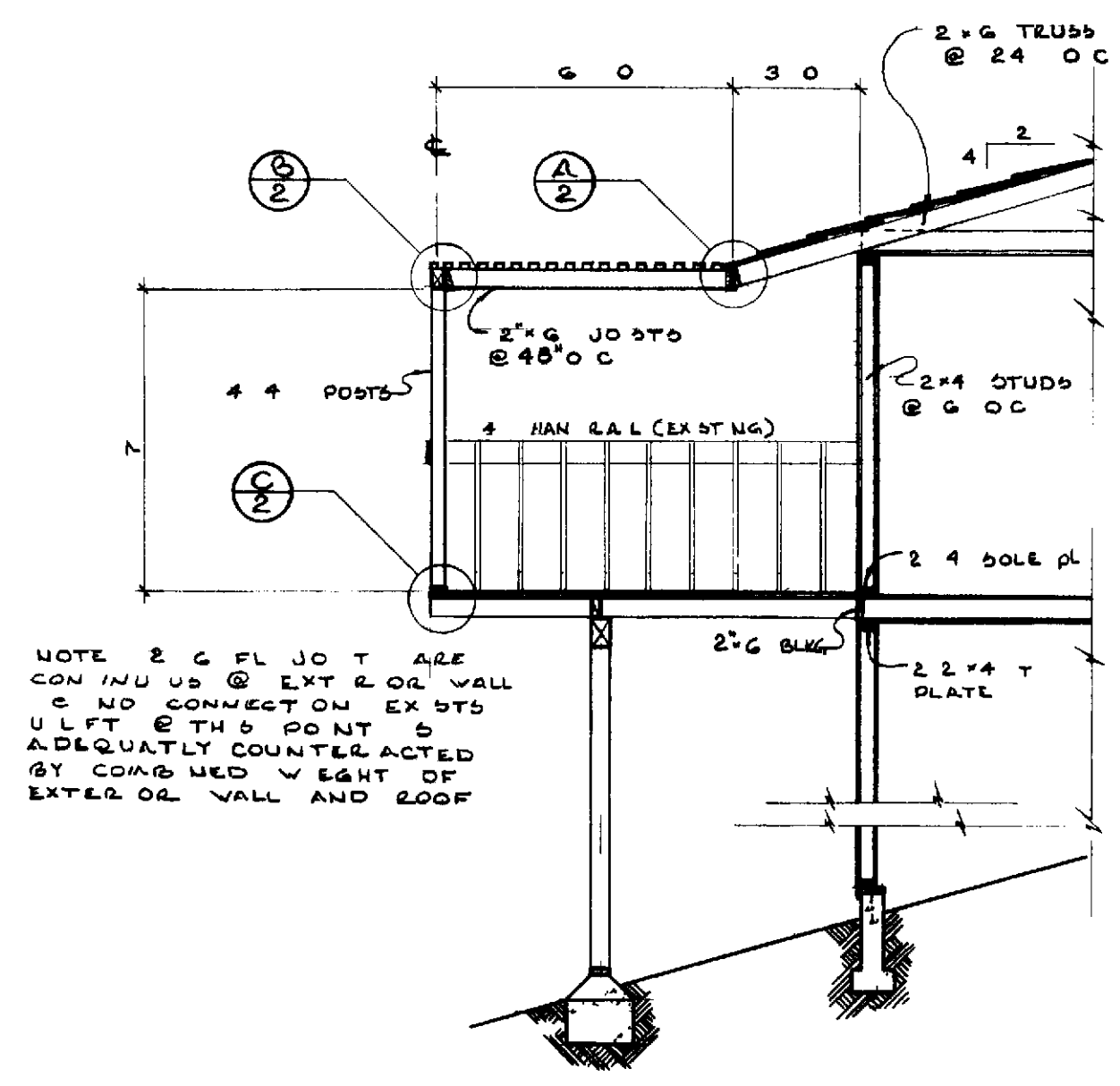
SCALE 1/4" = 1'-0"



ELEVATION



SCALE 1/4" = 1'-0"



SECTION A--A

SCALE 1/4" = 1'-0"

(70-405)

OPEN LATTICE BALCONY COVER CASA ARRIBA (PLAN LH 02)	
LEISURE WORLD STANDARD PLAN NUMBER	<b>105</b>
P C M INC APPROVED <i>R G Carr</i>	
PCM INC POB 2220	380-4616 LAGUNA HILLS
DRWN BY DENNIS WILLIS DATE 7-12-73	
SHEET 1 OF 2	